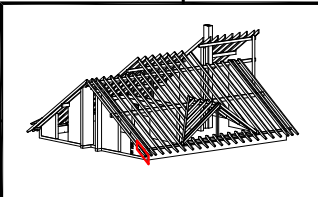
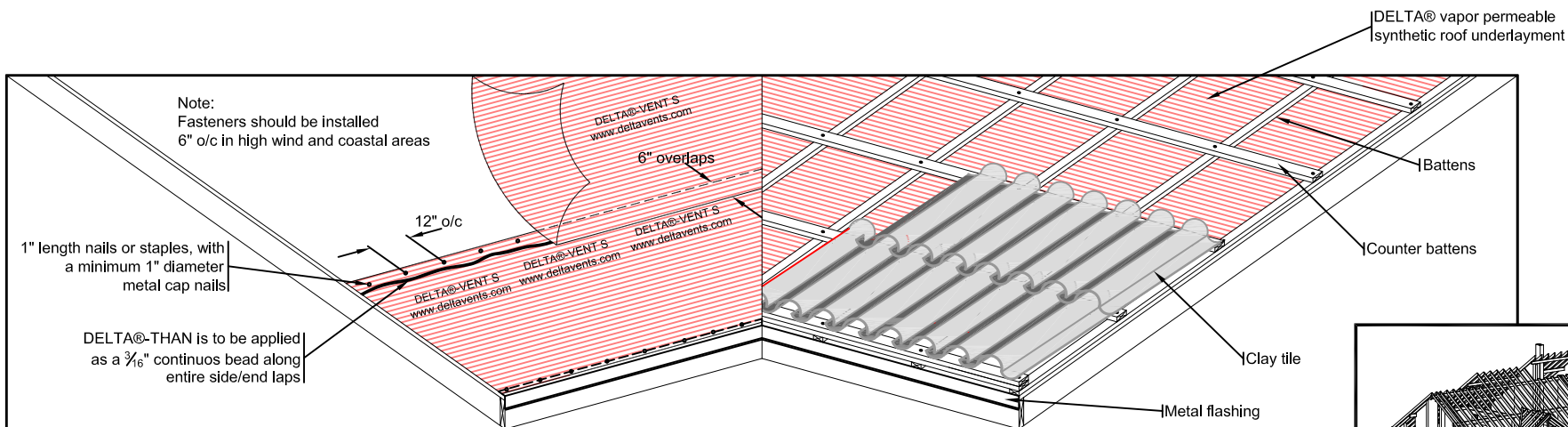
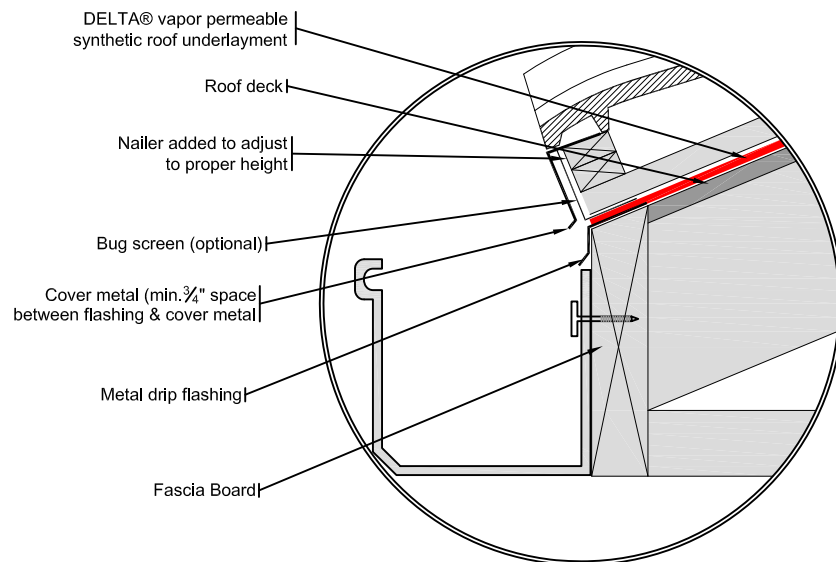
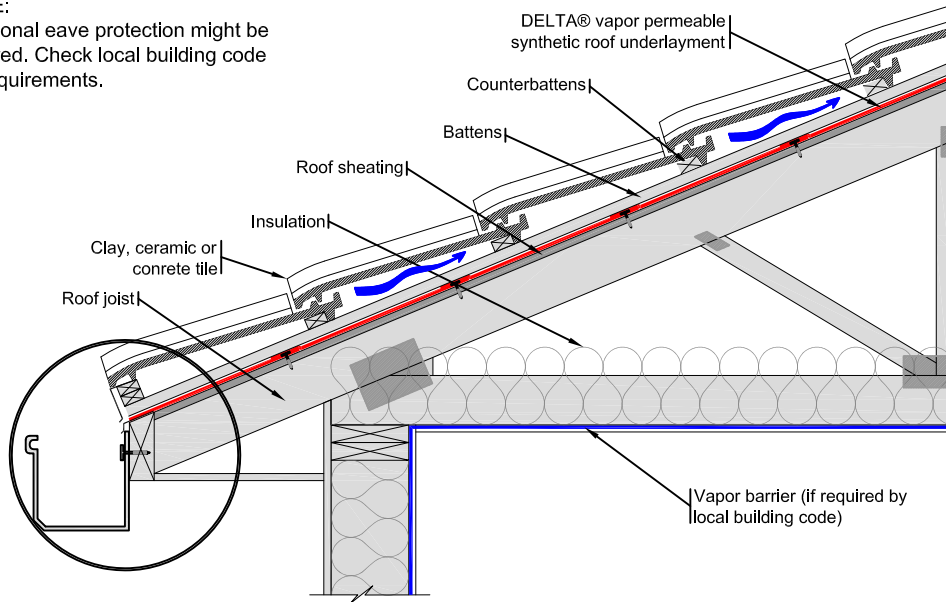


NOTE:
Additional eave protection might be required. Check local building code for requirements.



THIS DRAWING AND THE INFORMATION CONTAINED ARE THE PROPERTY OF COSELLA DÖRKEN. THEY ARE NOT TO BE COPIED OR USED IN ANY WAY WITHOUT OUR WRITTEN PERMISSION

COSELLA DÖRKEN

4655 DELTA WAY BEAMSVILLE, ON. L0R 1B4 CANADA
TEL# 1-888-433-5824 OR 1-905-563-3255

THIS IS A PROPOSAL DRAWING. DO NOT USE FOR CONSTRUCTION UNTIL APPROVED BY CONTRACTOR OR CONSULTING ENGINEER

TITLE:

DELTA®-VAPOR PERMEABLE ROOF UNDERLAYMENT EAVE DETAIL

APP'D BY: DATE:

DRAWN BY: KRZYSZTOF APRIASZ.

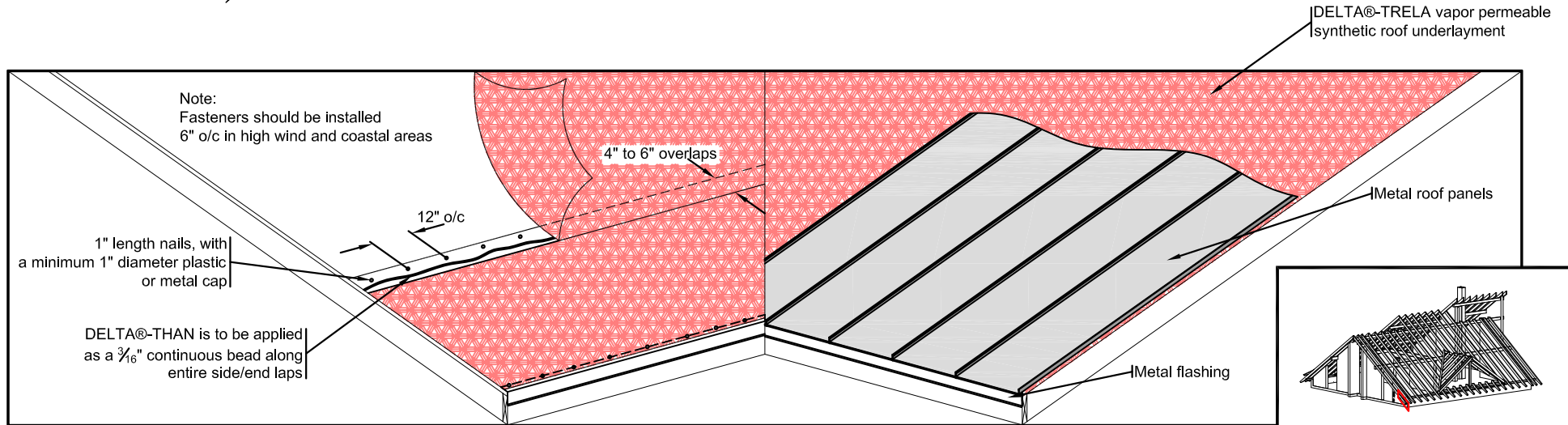
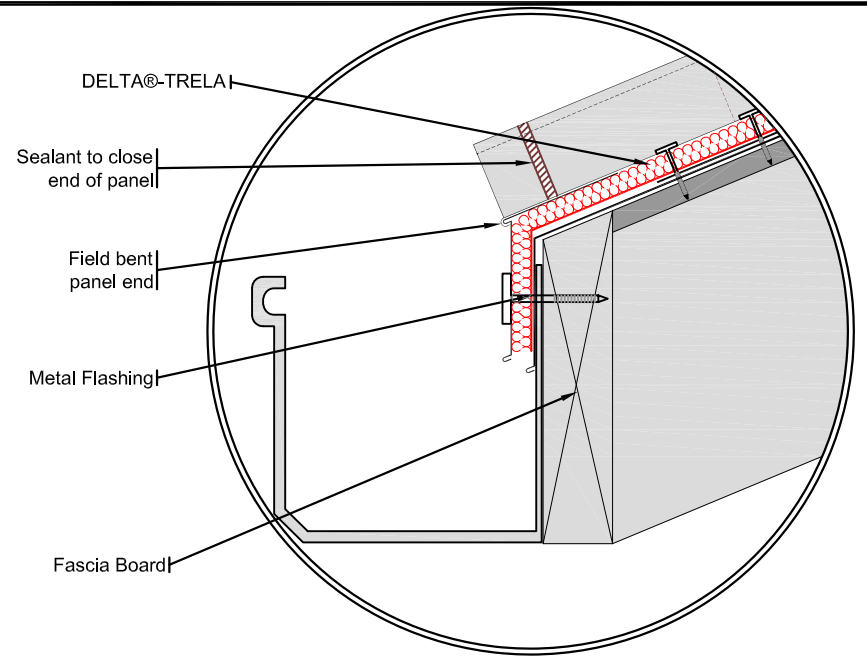
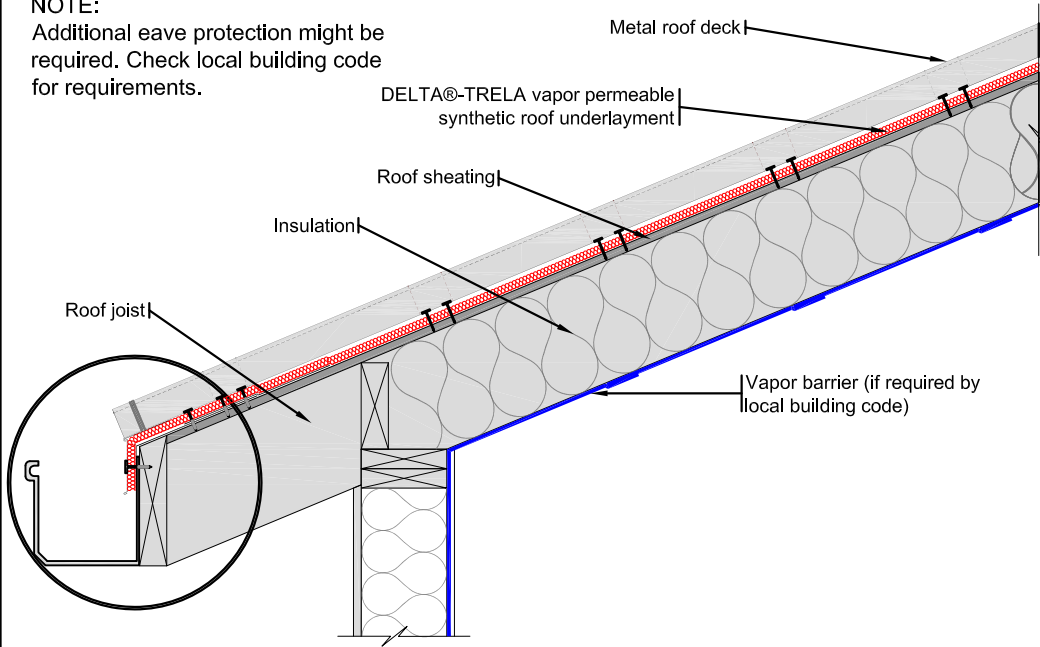
CHKD BY:

DATE: February 19, 2009

SCALE: NTS

FILE NAME: ROOF1.dwg

NOTE:
Additional eave protection might be required. Check local building code for requirements.



THIS DRAWING AND THE INFORMATION CONTAINED ARE THE PROPERTY OF COSELLA DÖRKEN. THEY ARE NOT TO BE COPIED OR USED IN ANY WAY WITHOUT OUR WRITTEN PERMISSION

COSELLA DÖRKEN

4655 DELTA WAY BEAMSVILLE, ON. L0R 1B4 CANADA
TEL# 1-888-433-5824 OR 1-905-563-3255

THIS IS A PROPOSAL DRAWING. DO NOT USE FOR CONSTRUCTION UNTIL APPROVED BY CONTRACTOR OR CONSULTING ENGINEER

TITLE:

DELTA@-TRELA EAVE DETAIL

APP'D BY:

DATE:

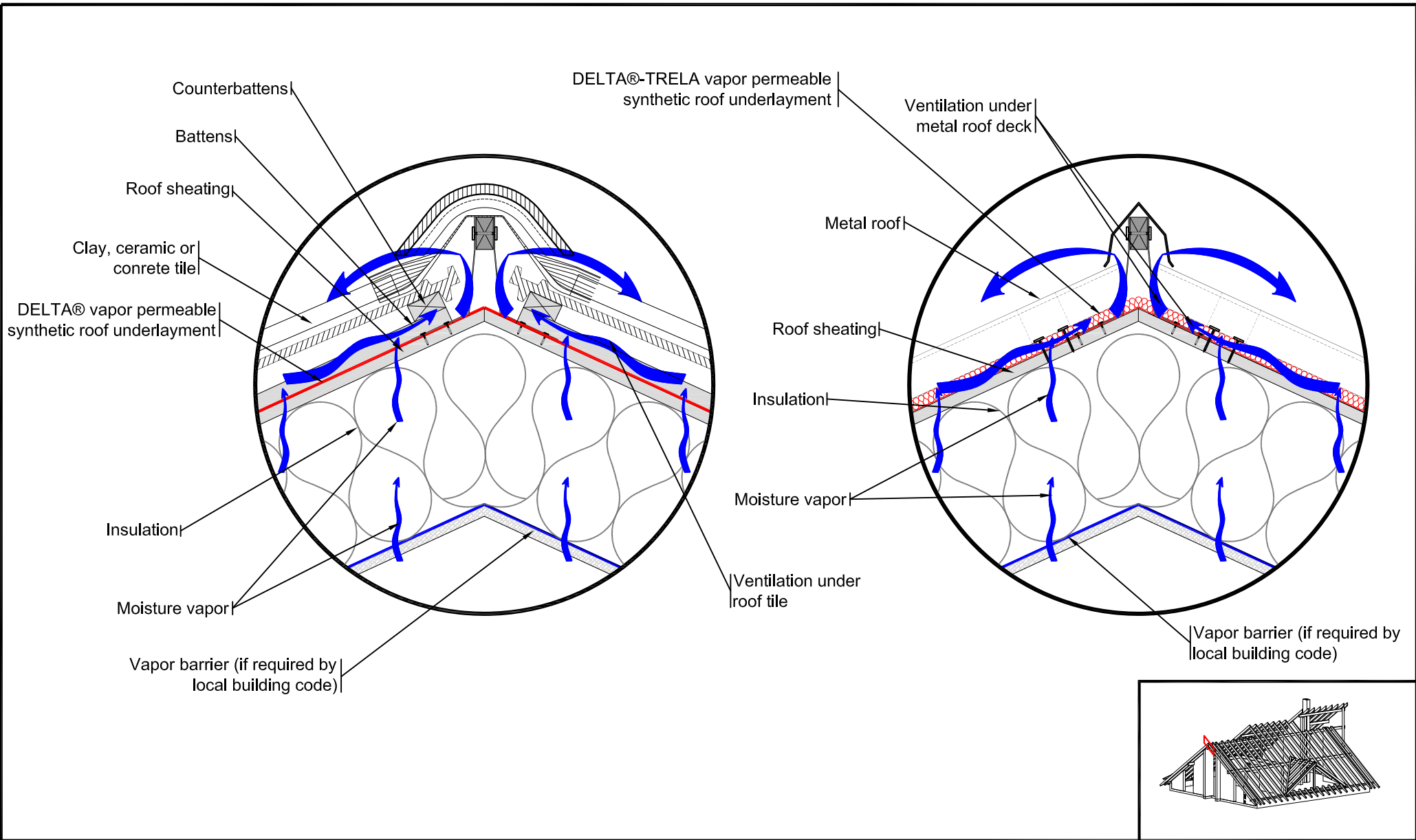
DRAWN BY: KRZYSZTOF APRIASZ.

CHKD BY:

DATE: February 17, 2009

SCALE: NTS

FILE NAME: TRELA1.dwg



THIS DRAWING AND THE INFORMATION CONTAINED ARE THE PROPERTY OF COSELLA DÖRKEN. THEY ARE NOT TO BE COPIED OR USED IN ANY WAY WITHOUT OUR WRITTEN PERMISSION

COSELLA DÖRKEN

4655 DELTA WAY BEAMSVILLE, ON. L0R 1B4 CANADA
TEL# 1-888-433-5824 OR 1-905-563-3255

THIS IS A PROPOSAL DRAWING. DO NOT USE FOR CONSTRUCTION UNTIL APPROVED BY CONTRACTOR OR CONSULTING ENGINEER

TITLE:

TYPICAL RIDGE DETAIL FOR UNVENTILATED ATTIC SPACE

APP'D BY:

DATE:

DRAWN BY: KRZYSZTOF APRIASZ.

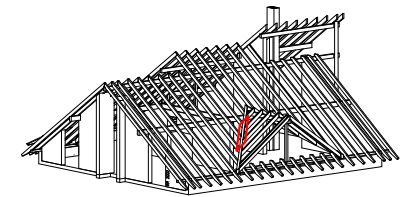
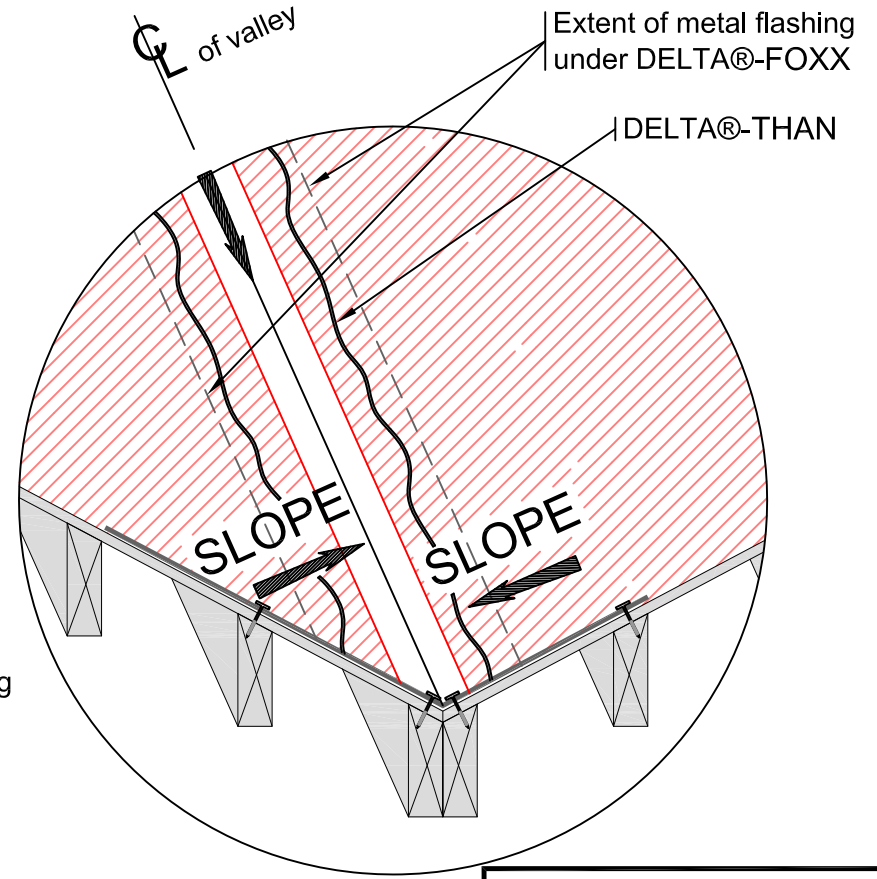
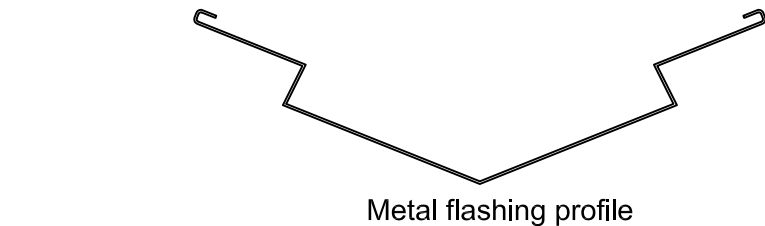
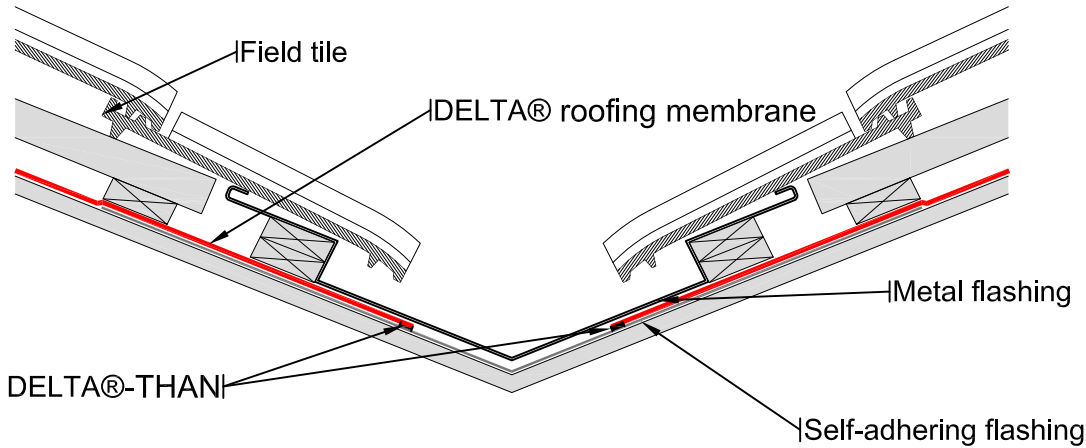
CHKD BY:

DATE: February 19, 2009

SCALE: NTS

FILE NAME: RIDGE1.dwg

1. Install self-adhering flashing in the valley.
2. Install field membrane overlapping minimum 6"
3. Adhere to valley flashing with DELTA®-THAN.
4. Install metal valley flashing over DELTA® roofing membrane.



THIS DRAWING AND THE INFORMATION CONTAINED ARE THE PROPERTY OF COSELLA DÖRKEN. THEY ARE NOT TO BE COPIED OR USED IN ANY WAY WITHOUT OUR WRITTEN PERMISSION

COSELLA DÖRKEN

4655 DELTA WAY BEAMSVILLE, ON. L0R 1B4 CANADA
TEL# 1-888-433-5824 OR 1-905-563-3255

THIS IS A PROPOSAL DRAWING. DO NOT USE FOR CONSTRUCTION UNTIL APPROVED BY CONTRACTOR OR CONSULTING ENGINEER

TITLE:

TYPICAL VALLEY DETAIL

APP'D BY:

DATE:

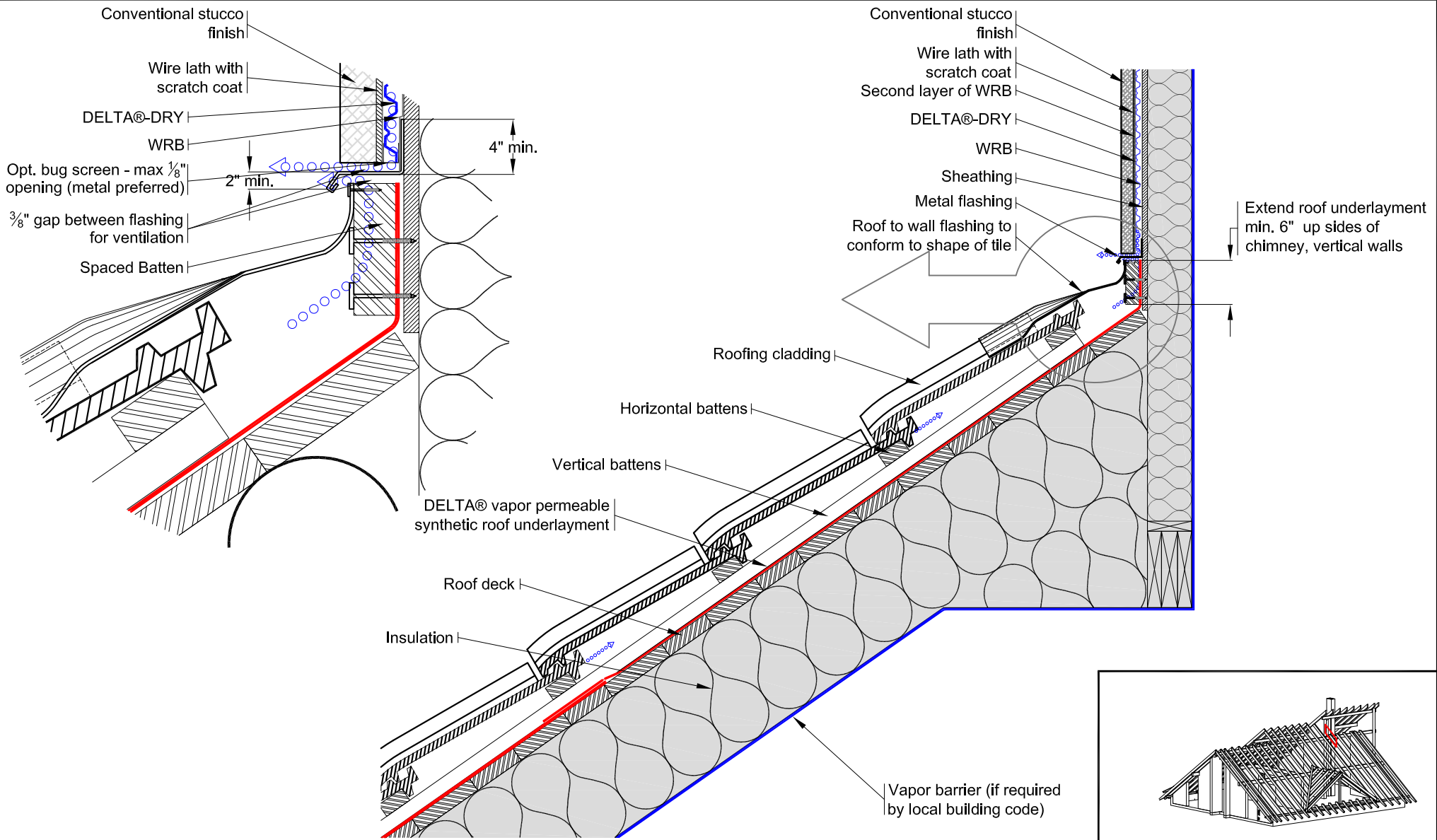
DRAWN BY: KRZYSZTOF APRIASZ.

CHKD BY:

DATE: February 27, 2009

SCALE: NTS

FILE NAME: Roof2valley.dwg



THIS DRAWING AND THE INFORMATION CONTAINED ARE THE PROPERTY OF COSELLA DÖRKEN. THEY ARE NOT TO BE COPIED OR USED IN ANY WAY WITHOUT OUR WRITTEN PERMISSION

COSELLA DÖRKEN

4655 DELTA WAY BEAMSVILLE, ON. L0R 1B4 CANADA
TEL# 1-888-433-5824 OR 1-905-563-3255

THIS IS A PROPOSAL DRAWING. DO NOT USE FOR CONSTRUCTION UNTIL APPROVED BY CONTRACTOR OR CONSULTING ENGINEER

TITLE:

WALL TRANSITION DELTA® VAPOR PERMEABLE ROOF UNDERLAYMENTS WITH DELTA®-DRY

APP'D BY:

DATE:

DRAWN BY: KRZYSZTOF APRIASZ.

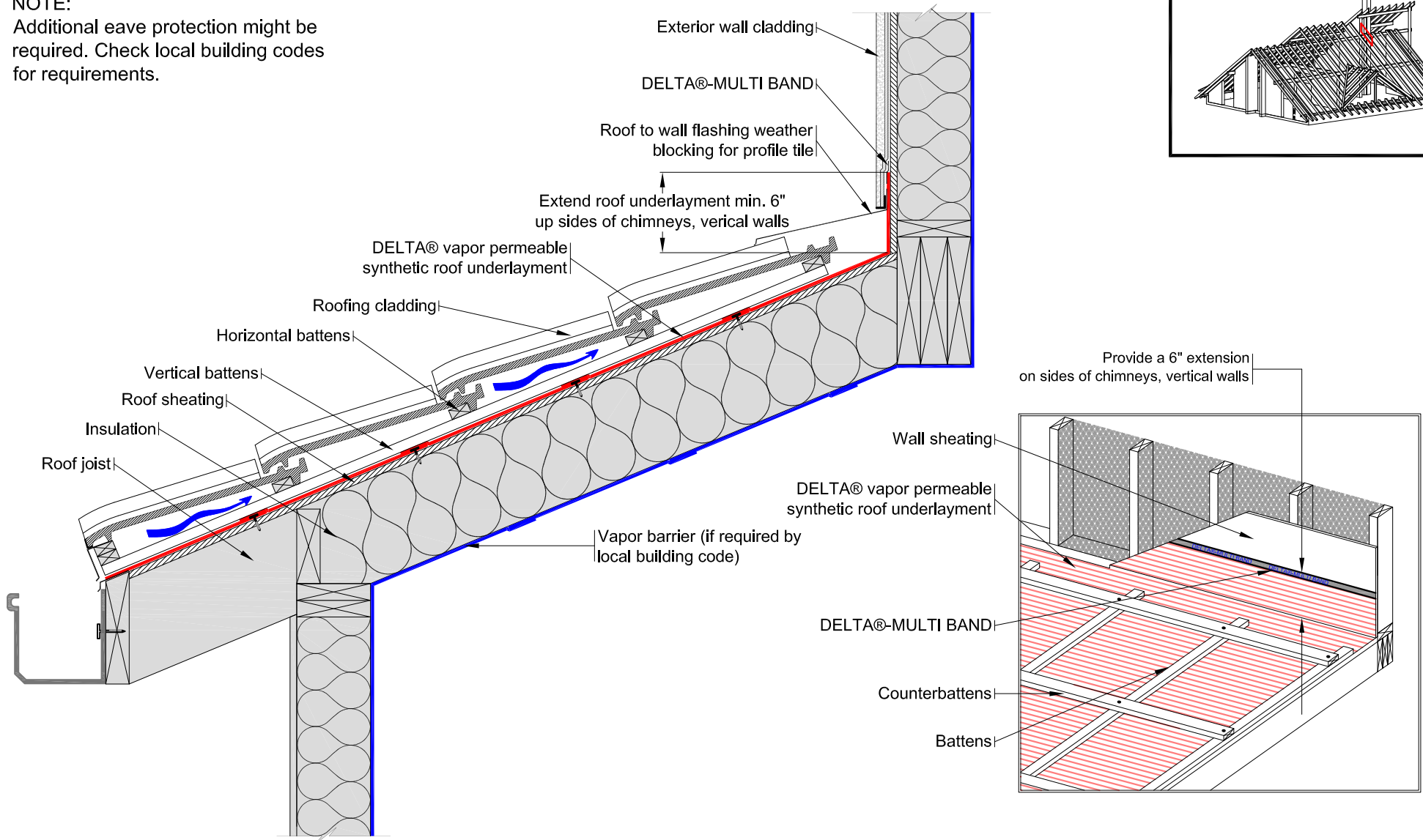
CHKD BY:

DATE: March 17, 2009

SCALE: NTS

FILE NAME: roof-wall2.dwg

NOTE:
Additional eave protection might be required. Check local building codes for requirements.



THIS DRAWING AND THE INFORMATION CONTAINED ARE THE PROPERTY OF COSELLA DÖRKEN. THEY ARE NOT TO BE COPIED OR MISUSED IN ANY WAY WITHOUT OUR WRITTEN PERMISSION

COSELLA DÖRKEN

4655 DELTA WAY BEAMSVILLE, ON. L0R 1B4 CANADA
TEL# 1-888-433-5824 OR 1-905-563-3255

THIS IS A PROPOSAL DRAWING. DO NOT USE FOR CONSTRUCTION UNTIL APPROVED BY CONTRACTOR OR CONSULTING ENGINEER

TITLE:

WALL TRANSITION DETAIL

APP'D BY:

DATE:

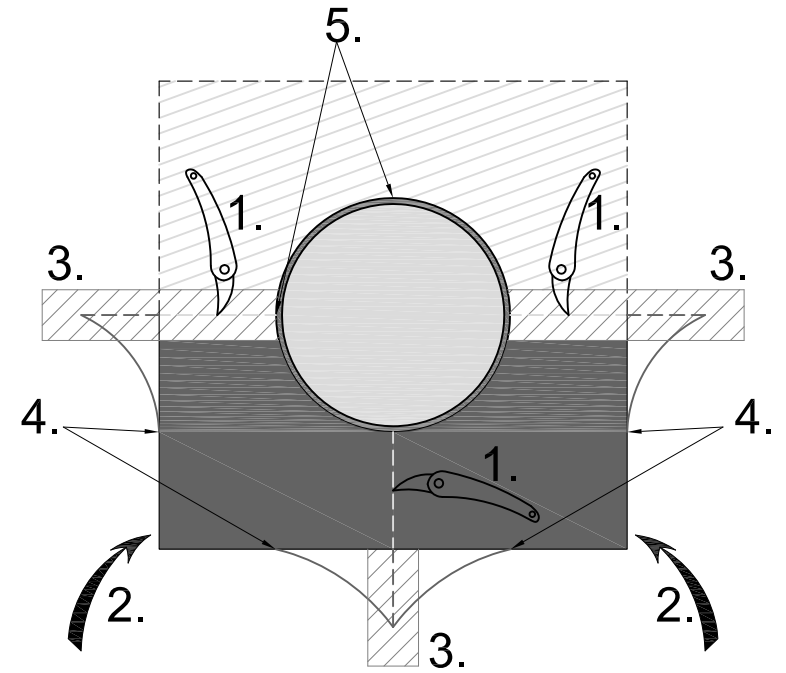
DRAWN BY: KRZYSZTOF APRIASZ.

CHKD BY:

DATE: March 4, 2009

SCALE: NTS

FILE NAME: roof-wall1.dwg



1. Cut roofing membrane at location as shown
2. Tuck roofing membrane under penetration collar as shown
3. Seal the seams with DELTA®-MULTI BAND or DELTA®-FLEXX-BAND as shown
4. Cover roofing membrane with lower half of penetration cover as shown
5. Seal around the collar of of stack penetration with DELTA®-MULTI BAND or DELTA®-FLEXX-BAND as shown

THIS DRAWING AND THE INFORMATION CONTAINED ARE THE PROPERTY OF COSELLA DÖRKEN. THEY ARE NOT TO BE COPIED OR MISUSED IN ANY WAY WITHOUT OUR WRITTEN PERMISSION

COSELLA DÖRKEN

4655 DELTA WAY BEAMSVILLE, ON. L0R 1B4 CANADA
TEL# 1-888-433-5824 OR 1-905-563-3255

THIS IS A PROPOSAL DRAWING. DO NOT USE FOR CONSTRUCTION UNTIL APPROVED BY CONTRACTOR OR COSULTING ENGINEER

TITLE:

TYPICAL ROOF PENETRATION DETAIL

APP'D BY:

DATE:

DRAWN BY: KRZYSZTOF APRIASZ.

CHKD BY:

DATE: March 4, 2009

SCALE: NTS

FILE NAME: PENETRATION.dwg