

## DELTA<sup>®</sup>-DRY & LATH

### Ventilated Rainscreen with Pre-installed Glass Lath Installation Instructions for Manufactured Stone and Conventional Stucco Claddings

#### Health and Safety

- Required safety equipment: hard hat, safety boots, gloves, safety glasses.
- Always follow all safety precautions as directed by the Occupational Safety and Health Administration (OSHA-USA) or the Construction Safety Association (Canada).
- Please refer to Safety Data Sheets for all components and observe all recommended safety precautions therein.
- The general codes of practice for protection at work and instructions of the manufacturers for tools and components are to be observed at all times.

#### Recommended Materials

- DELTA<sup>®</sup>-DRY & LATH
- DELTA<sup>®</sup>-BUG SCREEN

#### Recommended Tools

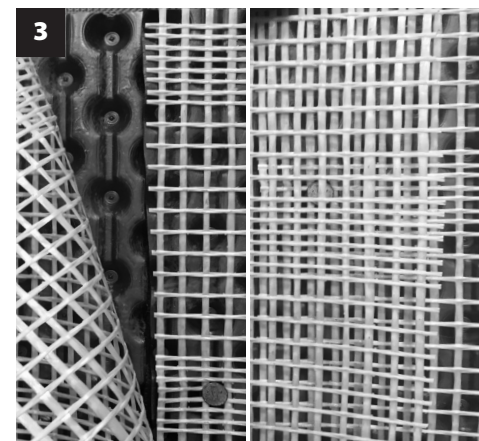
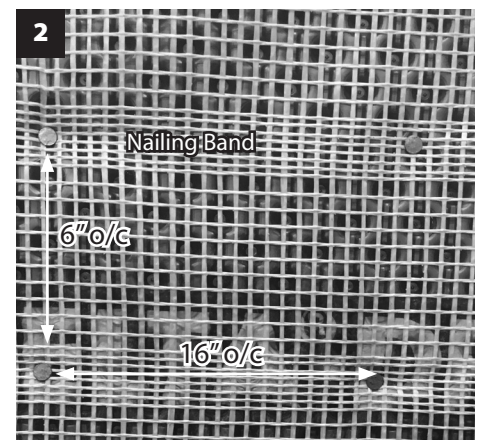
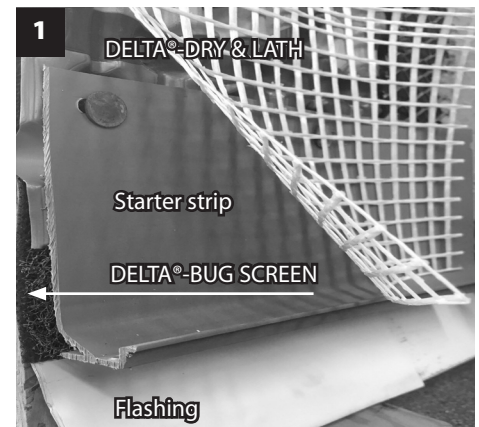
- Utility knife or scissors
- Measuring tape
- Hammer, automated nailing gun, or stapler
- Corrosion-resistant roofing nails 1-1/2"
- Corrosion-resistant staples with a 1" wide crown x 1-3/4" leg length

#### Notes and Limitations

- These installation instructions for DELTA<sup>®</sup>-DRY & LATH are intended only as a guide and are for the convenience of the contractor, specifier, and other interested parties. The final application and details are the sole responsibility of the design authority on record for the project.
- Do not install DELTA<sup>®</sup>-DRY & LATH in adverse weather conditions. High winds may hamper application.
- Always confirm the local building code requirements prior to installation.
- DELTA<sup>®</sup>-DRY & LATH may be installed over wood-based sheathing with a single layer of water-resistive barrier with a water resistance equal to or greater than that of a 60-minute Grade D paper, as described in the Exception to Section 2510.6 of the IBC, or the Exception to Section R703.6.3 of the IRC, or a single layer of 10-minute Grade D building paper.
- Window, door, and other openings should be properly flashed and integrated into the WRB in accordance with ASTM E-2112-07 or AAMA 2400-02.
- Always follow cladding manufacturer's installation instructions.
- Ensure protrusions that may penetrate the membrane are removed from substrate.
- Product is not designed for permanent UV exposure. Always cover as soon as possible.
- Fasteners shall engage the lath in the nailing band and be installed into studs spaced 6" on center vertically and 16" on center horizontally.

#### Installation

- An approved water-resistive barrier must be installed as per local building code requirements prior to the installation of DELTA<sup>®</sup>-DRY & LATH.
- For ease of installation, work with two people.
- Start the installation at the bottom of the wall. Install flashing with drip edge at bottom of wall. Fasten DELTA<sup>®</sup>-BUG SCREEN through flashing with corrosion-resistant roofing nails or staples. Ensure bottom edge of DELTA<sup>®</sup>-BUG SCREEN is aligned with planned bottom termination of bottom edge of cladding.
- Install DELTA<sup>®</sup>-DRY & LATH wherever wall cladding is to be installed. Always install DELTA<sup>®</sup>-DRY & LATH in a horizontal direction with the glass lath facing the installer.
- Fasten the starter strip on top of DELTA<sup>®</sup>-DRY. Ensure the glass lath overhang is facing down and overlapping starter strip (see Detail 1). Use starter/weepscreed recommended by cladding manufacturer.



- Proper ventilation at top and bottom of wall is VERY IMPORTANT for system performance.
- As one person holds DELTA®-DRY & LATH, the other installs fasteners. Place the fasteners in the nailing band at studs, spaced 6" o/c vertically and 16" o/c horizontally (see detail 2). For proper holding strength, it is important that fasteners are installed into studs.

### Side Laps and End Laps

- Side laps (vertical laps) must occur over a stud. Using scissors or utility knife, trim end of DELTA®-DRY 2" to 4", leaving the glass lath. Place the adjacent DELTA®-DRY & LATH tightly to previously installed DELTA®-DRY & LATH. Do not overlap or interlock the dimples. Overlap the glass lath only and fasten in place into stud at 6" o/c (see detail 3).
- Additional courses of DELTA®-DRY & LATH should be offset by a minimum of 16" (one stud). Position the material above previous course, with edges butted and lath material lapped over previous course.

### Installing Around Corners

- Install DELTA®-DRY & LATH on inside corners as tightly as possible by pushing the membrane into the corner using a straight edge, then anchor in place (see Detail 4).
- Install DELTA®-DRY & LATH on outside corners as tightly as possible by pressing the membrane around the corner, then anchor in place (see detail 5).
- Never terminate DELTA®-DRY & LATH in the corner. Always run past the corner a minimum of 16" and terminate on a stud.

### Penetrations (e.g windows, doors, pipes, etc.)

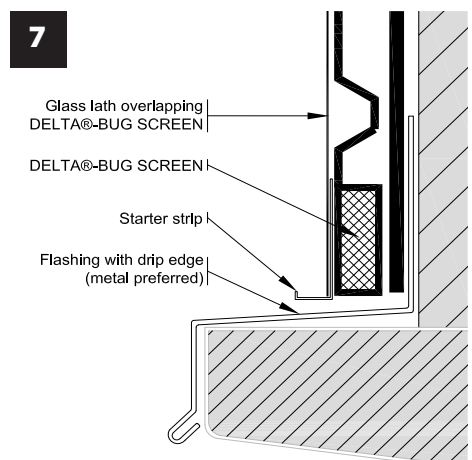
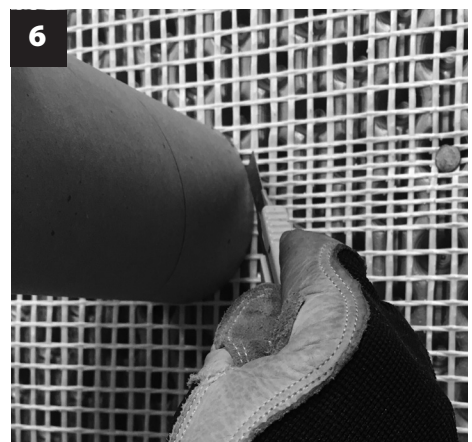
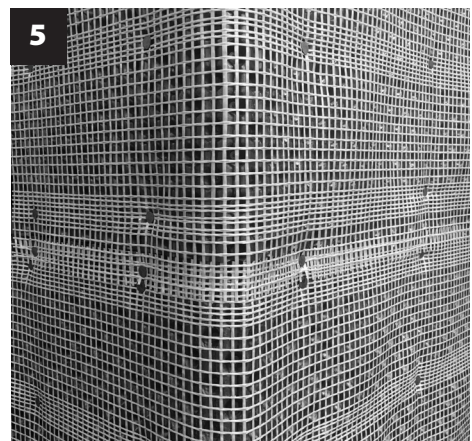
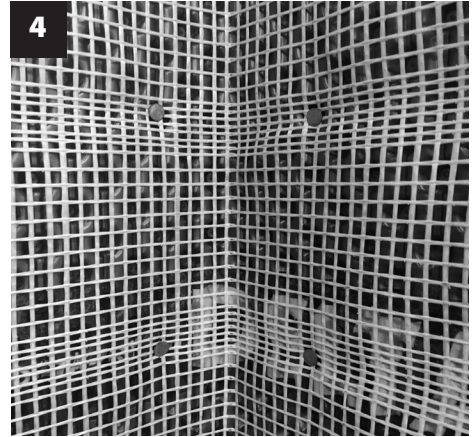
- Cut DELTA®-DRY & LATH as tightly as possible around window, door, pipe, and other openings or penetrations (see detail 6).
- For the top of all windows and doors, install DELTA®-BUG SCREEN at bottom edge of flashing (planned bottom termination of bottom edge of cladding). If necessary, peel back the glass lath from DELTA®-DRY. Using scissors or a utility knife, trim back 1 1/2" DELTA®-DRY dimple sheet only. Place DELTA®-DRY directly against DELTA®-BUG SCREEN, overlapping the glass lath onto the DELTA®-BUG SCREEN (see detail 7).
- For the bottom of windows and doors wider than 6 ft (1.8 m), ventilation is required (see detail 8). For windows and doors less than 6' (1.8 m) wide, no ventilation gap is required at the bottom.

### Top of Wall

- At the top of walls, install wood blocking, cut to fit on site. Fasten DELTA®-BUG SCREEN directly against the bottom of the wood blocking. Ensure that the continuity of the approved WRB is maintained behind the wood blocking. The top of DELTA®-DRY & LATH shall be installed directly against the bottom edge of DELTA®-BUG SCREEN (see detail 9).
- To maintain proper ventilation, wood blocking shall extend beyond the top edge of the cladding by at least 3/8" (10 mm).
- To protect the 3/8" (10 mm) air gap from wind-driven rain, fasten molding piece to the wood blocking. Ensure that it overlaps the cladding by a minimum of 2" (5 cm), depending on local wind conditions\*.

### Buildings Over Two Stories High

- On buildings over two stories high, a horizontal ventilation detail must be installed every two stories (see detail 10).
- In climate zone 4C (Marine), a horizontal ventilation detail must be installed every story.



**Inspection and Clean-up**

- Repair torn rainscreen as follows: any rips, tears, or holes in the DELTA®-DRY & LATH should be patched with DELTA®-FLEXX-BAND centered over the tear.
- Remove mud and similar marks with a water scrub. If chemicals have been spilled on DELTA®-DRY & LATH, replace material as needed.
- Ensure wall cladding is installed according to claddings manufacturer’s recommended procedures.

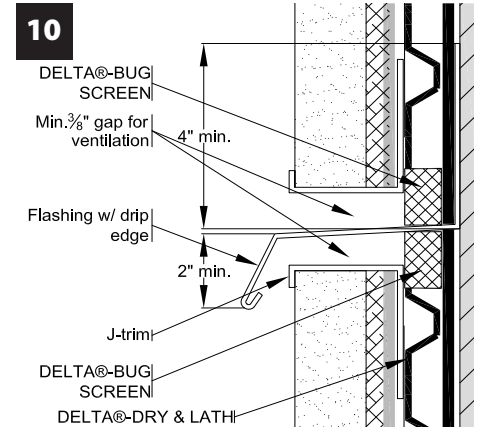
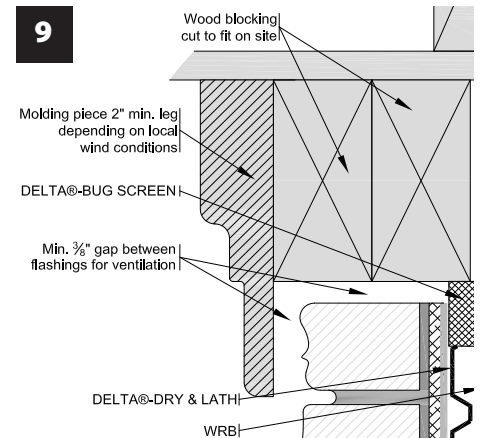
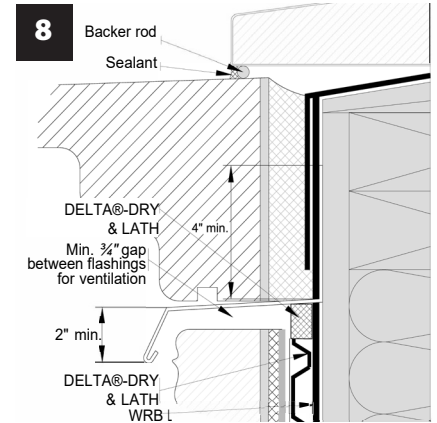
**Disposal of Waste**

- Waste can be recycled or disposed where facilities allow.

For technical support, call our Technical Support Team at 1-888-433-5824 extension 326, or visit [www.dorken.com](http://www.dorken.com).

\* For areas with wind speeds greater than 60 mph (96 km/h), the leg of the vertical molding piece may need to be longer than 2" (5 cm).

- ICC Evaluation Service [ESR-2987](#) DELTA®-DRY rainscreen system
- Uniform Evaluation Service Report Number [323](#)



DELTA® is a registered trademark of Ewald Dörken AG, Herdecke, Germany



Dörken Systems Inc.  
4655 Delta Way  
Beamsville, Ontario  
L3J 0T6  
1-(905) 563-3255  
Fax: (905) 563-5582  
info@dorken.com  
www.dorken.com

A DÖRKENGROUP company

The information printed in this brochure reflects product information and specifications at the date of printing. The manufacturer reserves the right to make changes when necessary. All rights

DELTA®-branded quality products manufactured by Dörken.



03/23/2022 6