

For proper performance of DELTA®-DRY ensure top and bottom remain open to allow ventilation and drainage

STUBSTANTIAL EFFORT HAS BEEN MADE TO ENSURE THAT THE INFORMATION IN THIS DETAIL DRAWING IS ACCURATE. DÖRKEN SYSTEMS INC. CANNOT ACCEPT RESPONSIBILITY FOR ANY ERRORS OR OVERSIGHTS IN THE USE OF THIS MATERIAL OR IN THE PREPARATION OF ARCHITECTURAL OR ENGINEERING PLANS. THE DESIGN PROFESSIONAL MUST RECOGNIZE THAT NO DESIGN DETAIL CAN SUBSTITUTE FOR EXPERIENCED ENGINEERING AND PROFESSIONAL JUDGEMENT.

TITLE:

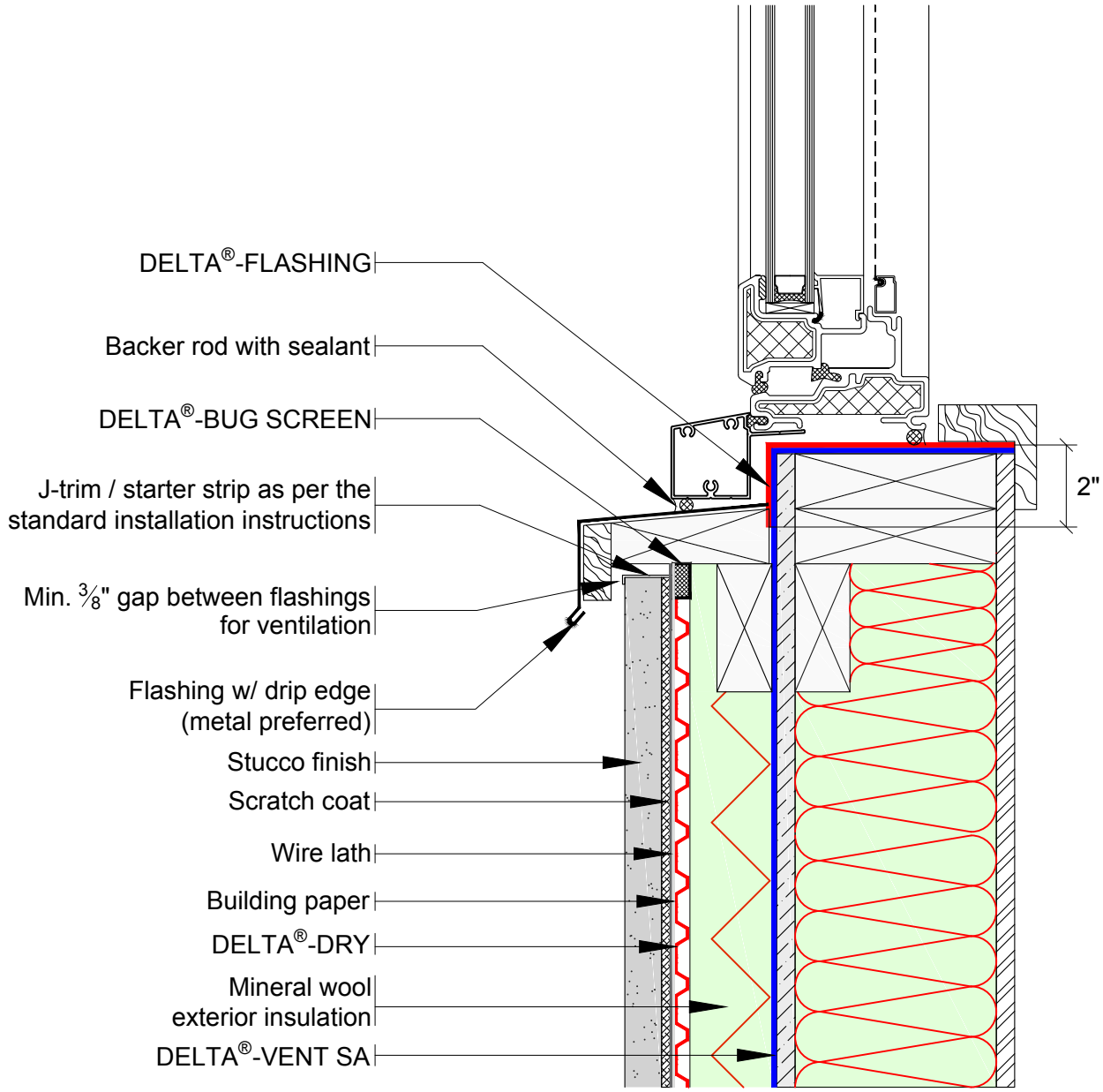
TYPICAL RESIDENTIAL DELTA®-DRY WITH EXTERIOR INSULATION BASE OF WALL AT FOUNDATION

DRAWN BY: Krzysztof Apiasz C. Tech. CPHC®
January 2021

DÖRKEN

DELTA®

4655 DELTA WAY BEAMSVILLE, ON.
L3J 0T6 CANADA



For proper performance of DELTA®-DRY ensure top and bottom remain open to allow ventilation and drainage

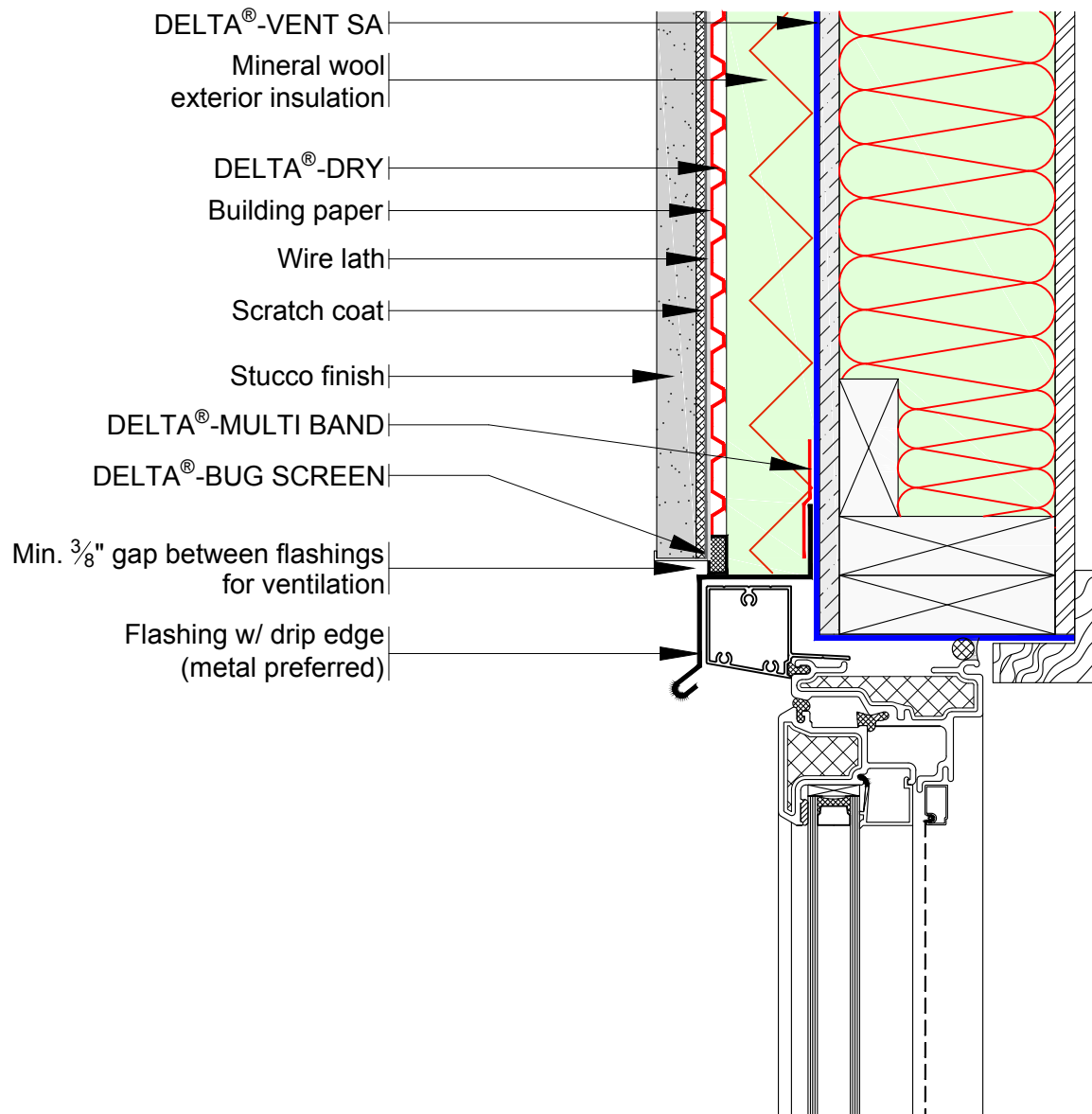
SUBSTANTIAL EFFORT HAS BEEN MADE TO ENSURE THAT THE INFORMATION IN THIS DETAIL DRAWING IS ACCURATE. DÖRKEN SYSTEMS INC. CANNOT ACCEPT RESPONSIBILITY FOR ANY ERRORS OR OVERSIGHTS IN THE USE OF THIS MATERIAL OR IN THE PREPARATION OF ARCHITECTURAL OR ENGINEERING PLANS. THE DESIGN PROFESSIONAL MUST RECOGNIZE THAT NO DESIGN DETAIL CAN SUBSTITUTE FOR EXPERIENCED ENGINEERING AND PROFESSIONAL JUDGEMENT.

TITLE:
TYPICAL RESIDENTIAL DELTA®-DRY EXTERIOR INSULATION WINDOW SILL DETAIL

DRAWN BY: Krzysztof Apriasz C. Tech. CPHC®
 January 2021



 4655 DELTA WAY BEAMSVILLE, ON.
 L3J 0T6 CANADA



For proper performance of DELTA®-DRY ensure top and bottom remain open to allow ventilation and drainage

SUBSTANTIAL EFFORT HAS BEEN MADE TO ENSURE THAT THE INFORMATION IN THIS DETAIL DRAWING IS ACCURATE. DÖRKEN SYSTEMS INC. CANNOT ACCEPT RESPONSIBILITY FOR ANY ERRORS OR OVERSIGHTS IN THE USE OF THIS MATERIAL OR IN THE PREPARATION OF ARCHITECTURAL OR ENGINEERING PLANS. THE DESIGN PROFESSIONAL MUST RECOGNIZE THAT NO DESIGN DETAIL CAN SUBSTITUTE FOR EXPERIENCED ENGINEERING AND PROFESSIONAL JUDGEMENT.

TITLE:

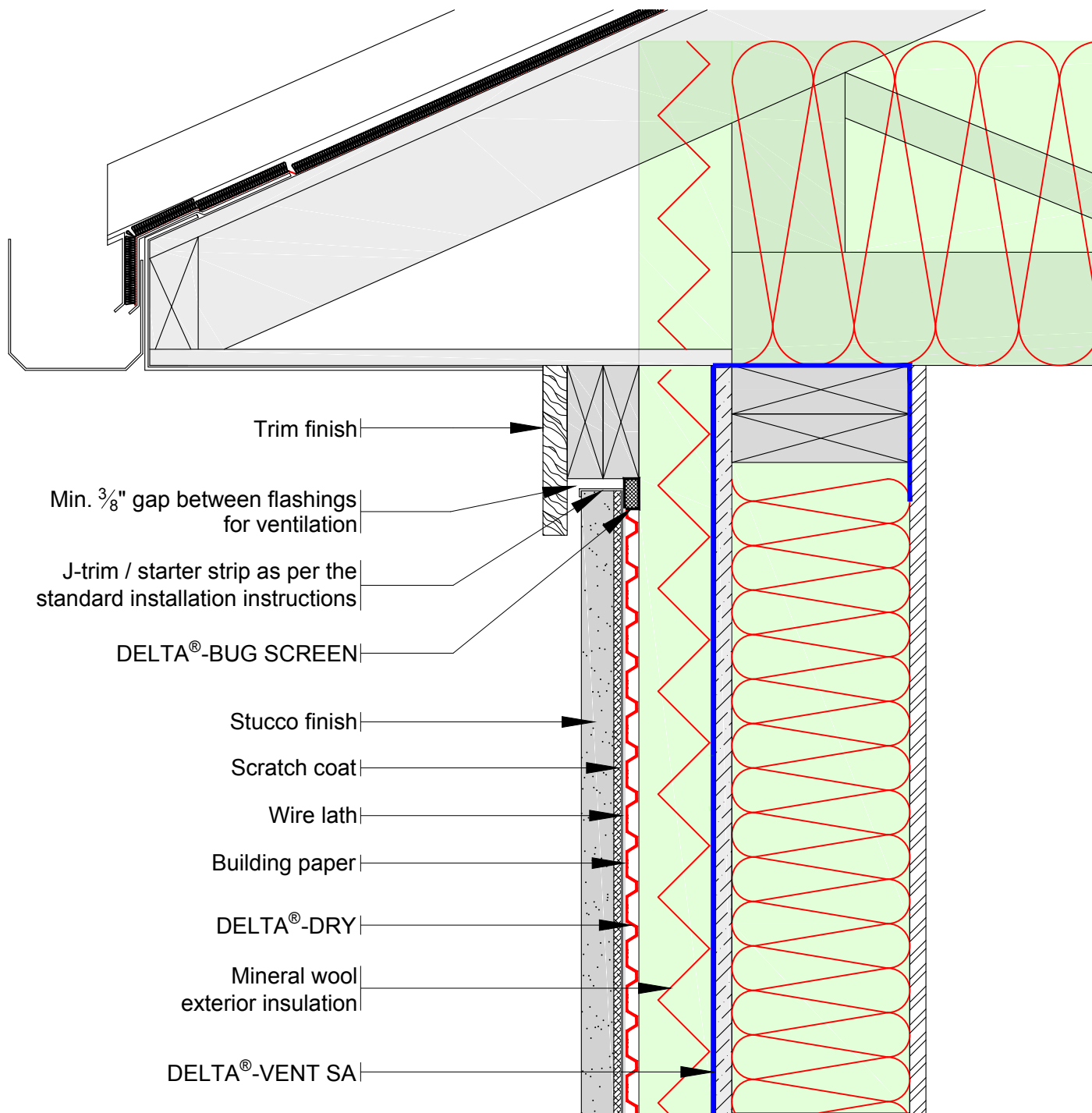
TYPICAL RESIDENTIAL DELTA®-DRY EXTERIOR INSULATION WINDOW HEAD DETAIL

DRAWN BY: Krzysztof Apriasz C. Tech. CPHC®
January 2021

DÖRKEN

DELTA®

4655 DELTA WAY BEAMSVILLE, ON.
L3J 0T6 CANADA



For proper performance of DELTA®-DRY ensure top and bottom remain open to allow ventilation and drainage

SUBSTANTIAL EFFORT HAS BEEN MADE TO ENSURE THAT THE INFORMATION IN THIS DETAIL DRAWING IS ACCURATE. DÖRKEN SYSTEMS INC. CANNOT ACCEPT RESPONSIBILITY FOR ANY ERRORS OR OVERSIGHTS IN THE USE OF THIS MATERIAL OR IN THE PREPARATION OF ARCHITECTURAL OR ENGINEERING PLANS. THE DESIGN PROFESSIONAL MUST RECOGNIZE THAT NO DESIGN DETAIL CAN SUBSTITUTE FOR EXPERIENCED ENGINEERING AND PROFESSIONAL JUDGEMENT.

TITLE:

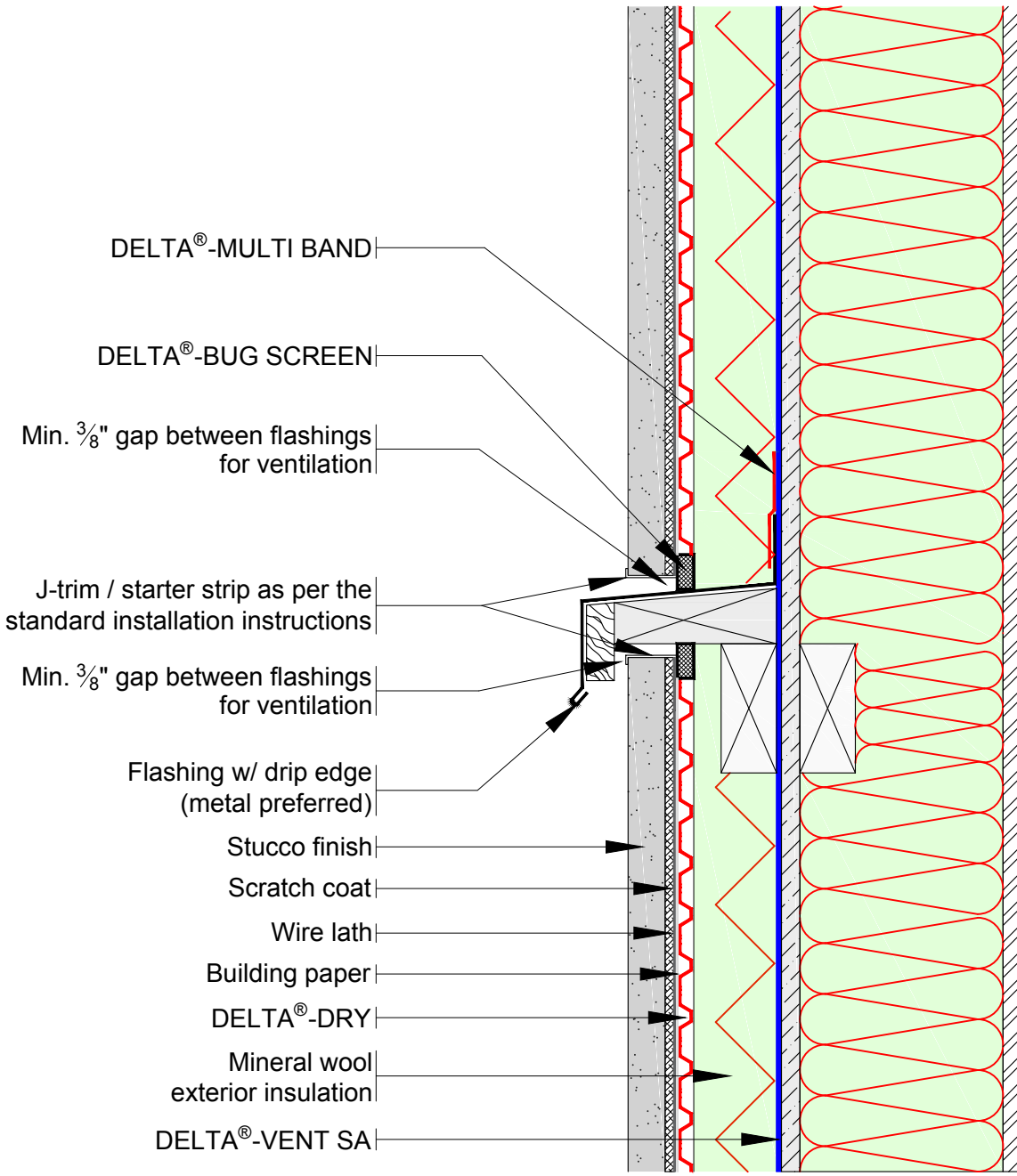
TYPICAL RESIDENTIAL DELTA®-DRY EXTERIOR INSULATION TOP OF WALL DETAIL

DRAWN BY: Krzysztof Apriasz C. Tech. CPHC®
January 2021

DÖRKEN

DELTA®

4655 DELTA WAY BEAMSVILLE, ON.
L3J 0T6 CANADA



For proper performance of DELTA®-DRY ensure top and bottom remain open to allow ventilation and drainage

SUBSTANTIAL EFFORT HAS BEEN MADE TO ENSURE THAT THE INFORMATION IN THIS DETAIL DRAWING IS ACCURATE. DÖRKEN SYSTEMS INC. CANNOT ACCEPT RESPONSIBILITY FOR ANY ERRORS OR OVERSIGHTS IN THE USE OF THIS MATERIAL OR IN THE PREPARATION OF ARCHITECTURAL OR ENGINEERING PLANS. THE DESIGN PROFESSIONAL MUST RECOGNIZE THAT NO DESIGN DETAIL CAN SUBSTITUTE FOR EXPERIENCED ENGINEERING AND PROFESSIONAL JUDGEMENT.

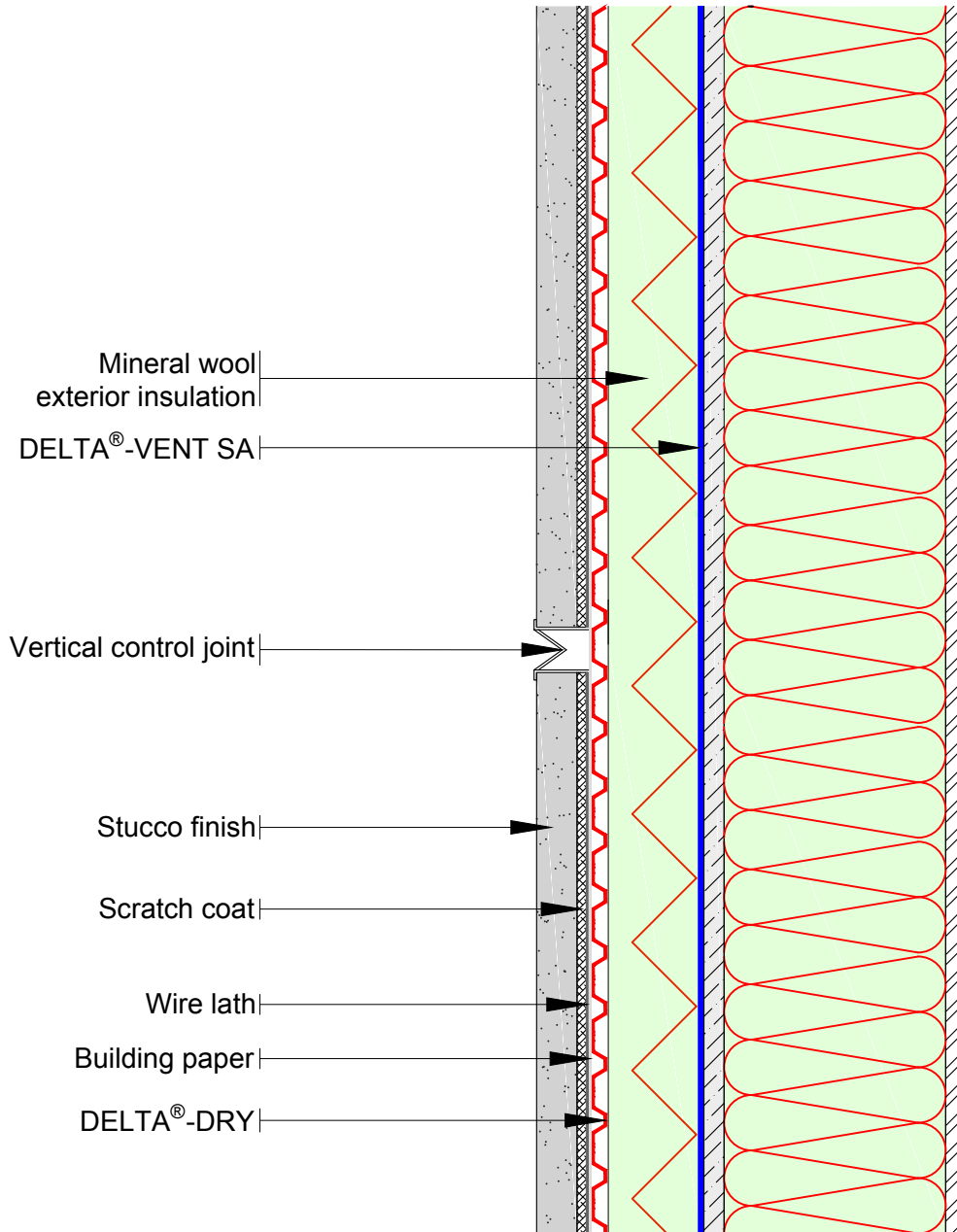
TITLE:
TYPICAL RESIDENTIAL DELTA®-DRY EXTERIOR INSULATION TRANSITION DETAIL

DRAWN BY: Krzysztof Apriasz C. Tech. CPHC®
 January 2021

DÖRKEN

DELTA®

4655 DELTA WAY BEAMSVILLE, ON.
 L3J 0T6 CANADA



For proper performance of DELTA®-DRY ensure top and bottom remain open to allow ventilation and drainage

SUBSTANTIAL EFFORT HAS BEEN MADE TO ENSURE THAT THE INFORMATION IN THIS DETAIL DRAWING IS ACCURATE. DÖRKEN SYSTEMS INC. CANNOT ACCEPT RESPONSIBILITY FOR ANY ERRORS OR OVERSIGHTS IN THE USE OF THIS MATERIAL OR IN THE PREPARATION OF ARCHITECTURAL OR ENGINEERING PLANS. THE DESIGN PROFESSIONAL MUST RECOGNIZE THAT NO DESIGN DETAIL CAN SUBSTITUTE FOR EXPERIENCED ENGINEERING AND PROFESSIONAL JUDGEMENT.

TITLE:

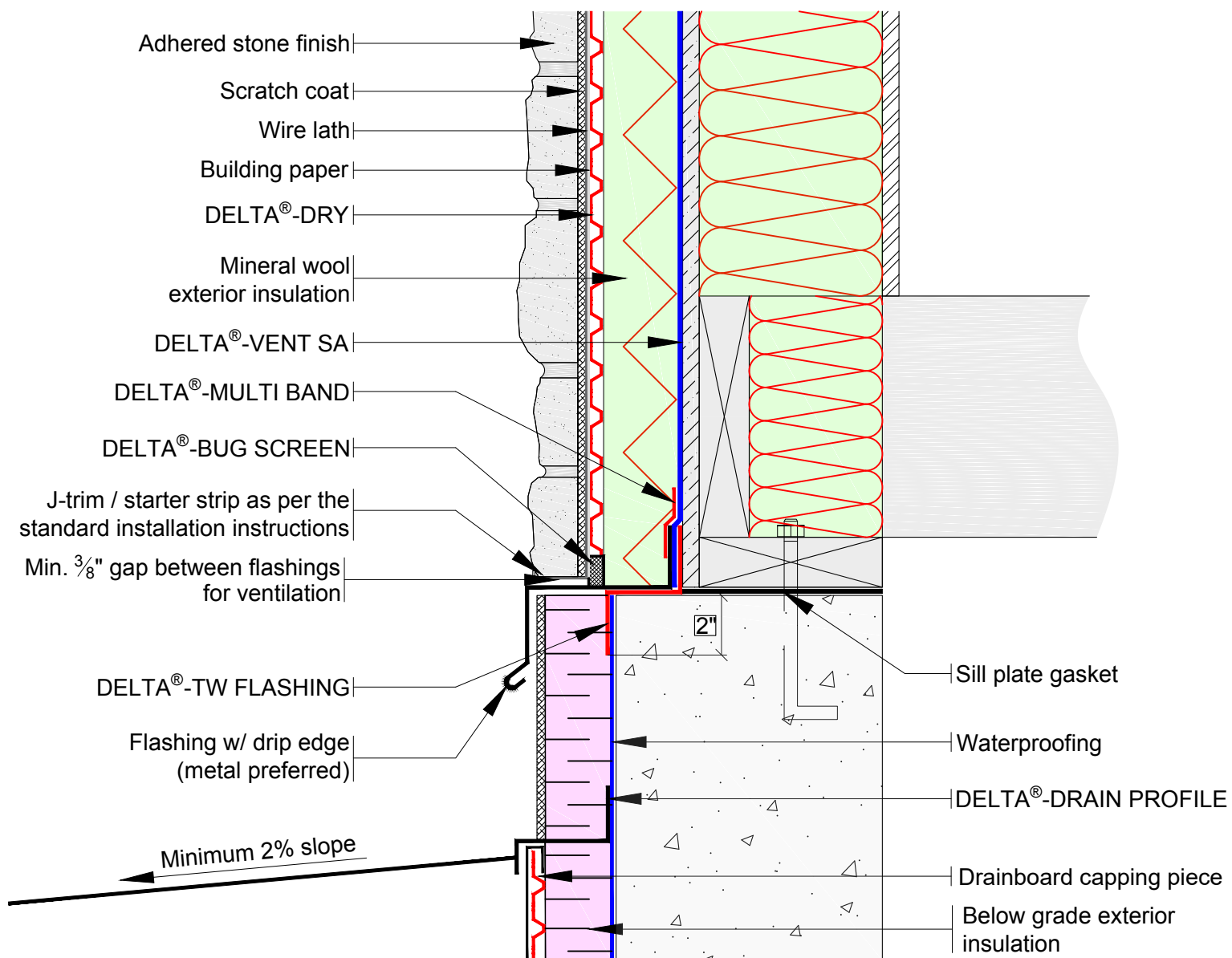
TYPICAL RESIDENTIAL DELTA®-DRY EXTERIOR INSULATION VERTICAL CONTROL JOINT DETAIL

DRAWN BY: Krzysztof Apriasz C. Tech. CPHC®
January 2021

DÖRKEN

DELTA®

4655 DELTA WAY BEAMSVILLE, ON.
L3J 0T6 CANADA



For proper performance of DELTA®-DRY ensure top and bottom remain open to allow ventilation and drainage

SUBSTANTIAL EFFORT HAS BEEN MADE TO ENSURE THAT THE INFORMATION IN THIS DETAIL DRAWING IS ACCURATE. DÖRKEN SYSTEMS INC. CANNOT ACCEPT RESPONSIBILITY FOR ANY ERRORS OR OVERSIGHTS IN THE USE OF THIS MATERIAL OR IN THE PREPARATION OF ARCHITECTURAL OR ENGINEERING PLANS. THE DESIGN PROFESSIONAL MUST RECOGNIZE THAT NO DESIGN DETAIL CAN SUBSTITUTE FOR EXPERIENCED ENGINEERING AND PROFESSIONAL JUDGEMENT.

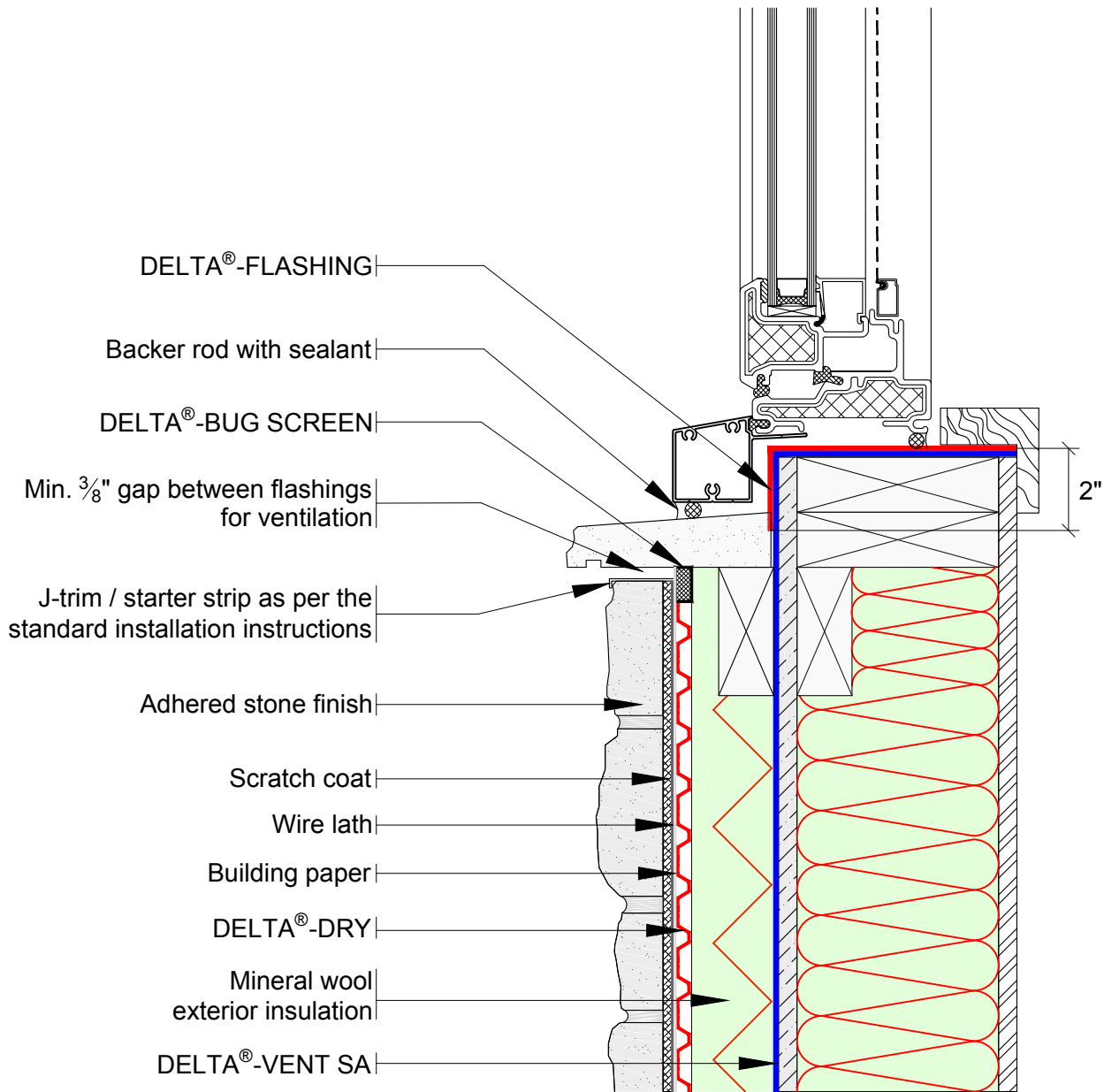
TITLE:
**TYPICAL RESIDENTIAL
 DELTA®-DRY WITH EXTERIOR
 INSULATION BASE OF WALL AT
 FOUNDATION**

DRAWN BY: Krzysztof Apriasz C. Tech. CPHC®
 January 2021

DÖRKEN

DELTA®

4655 DELTA WAY BEAMSVILLE, ON.
 L3J 0T6 CANADA



For proper performance of DELTA®-DRY ensure top and bottom remain open to allow ventilation and drainage

SUBSTANTIAL EFFORT HAS BEEN MADE TO ENSURE THAT THE INFORMATION IN THIS DETAIL DRAWING IS ACCURATE. DÖRKEN SYSTEMS INC. CANNOT ACCEPT RESPONSIBILITY FOR ANY ERRORS OR OVERSIGHTS IN THE USE OF THIS MATERIAL OR IN THE PREPARATION OF ARCHITECTURAL OR ENGINEERING PLANS. THE DESIGN PROFESSIONAL MUST RECOGNIZE THAT NO DESIGN DETAIL CAN SUBSTITUTE FOR EXPERIENCED ENGINEERING AND PROFESSIONAL JUDGEMENT.

TITLE:

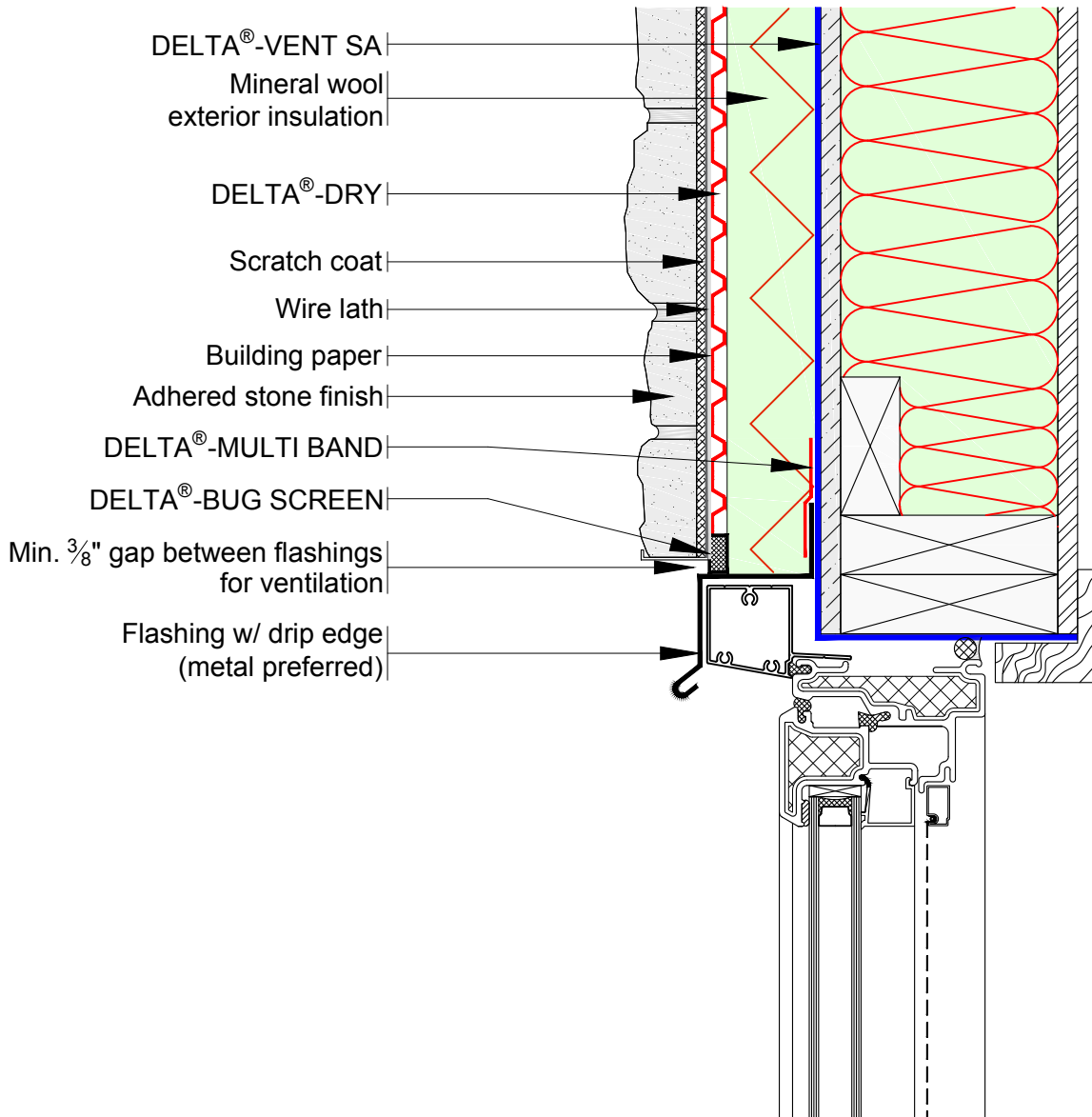
TYPICAL RESIDENTIAL DELTA®-DRY EXTERIOR INSULATION WINDOW SILL DETAIL

DRAWN BY: Krzysztof Apiasz C. Tech. CPHC®
 January 2021

DÖRKEN

DELTA®

4655 DELTA WAY BEAMSVILLE, ON.
 L3J 0T6 CANADA



For proper performance of DELTA®-DRY ensure top and bottom remain open to allow ventilation and drainage

SUBSTANTIAL EFFORT HAS BEEN MADE TO ENSURE THAT THE INFORMATION IN THIS DETAIL DRAWING IS ACCURATE. DÖRKEN SYSTEMS INC. CANNOT ACCEPT RESPONSIBILITY FOR ANY ERRORS OR OVERSIGHTS IN THE USE OF THIS MATERIAL OR IN THE PREPARATION OF ARCHITECTURAL OR ENGINEERING PLANS. THE DESIGN PROFESSIONAL MUST RECOGNIZE THAT NO DESIGN DETAIL CAN SUBSTITUTE FOR EXPERIENCED ENGINEERING AND PROFESSIONAL JUDGEMENT.

TITLE:

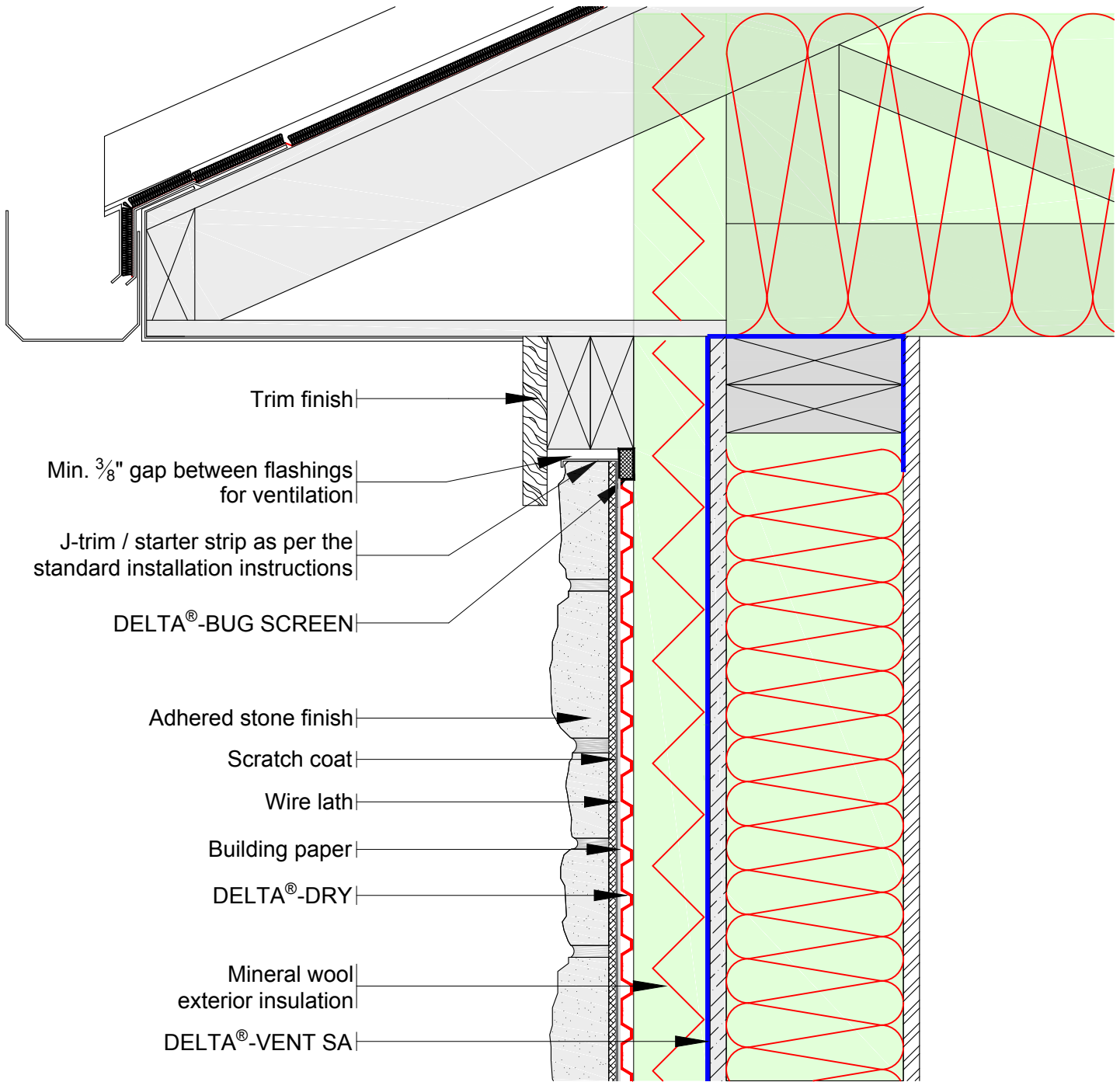
TYPICAL RESIDENTIAL DELTA®-DRY EXTERIOR INSULATION WINDOW HEAD DETAIL

DRAWN BY: Krzysztof Apriasz C. Tech. CPHC®
January 2021

DÖRKEN

DELTA®

4655 DELTA WAY BEAMSVILLE, ON.
L3J 0T6 CANADA



- Trim finish
- Min. $\frac{3}{8}$ " gap between flashings for ventilation
- J-trim / starter strip as per the standard installation instructions
- DELTA®-BUG SCREEN
- Adhered stone finish
- Scratch coat
- Wire lath
- Building paper
- DELTA®-DRY
- Mineral wool exterior insulation
- DELTA®-VENT SA

For proper performance of DELTA®-DRY ensure top and bottom remain open to allow ventilation and drainage

SUBSTANTIAL EFFORT HAS BEEN MADE TO ENSURE THAT THE INFORMATION IN THIS DETAIL DRAWING IS ACCURATE. DÖRKEN SYSTEMS INC. CANNOT ACCEPT RESPONSIBILITY FOR ANY ERRORS OR OVERSIGHTS IN THE USE OF THIS MATERIAL OR IN THE PREPARATION OF ARCHITECTURAL OR ENGINEERING PLANS. THE DESIGN PROFESSIONAL MUST RECOGNIZE THAT NO DESIGN DETAIL CAN SUBSTITUTE FOR EXPERIENCED ENGINEERING AND PROFESSIONAL JUDGEMENT.

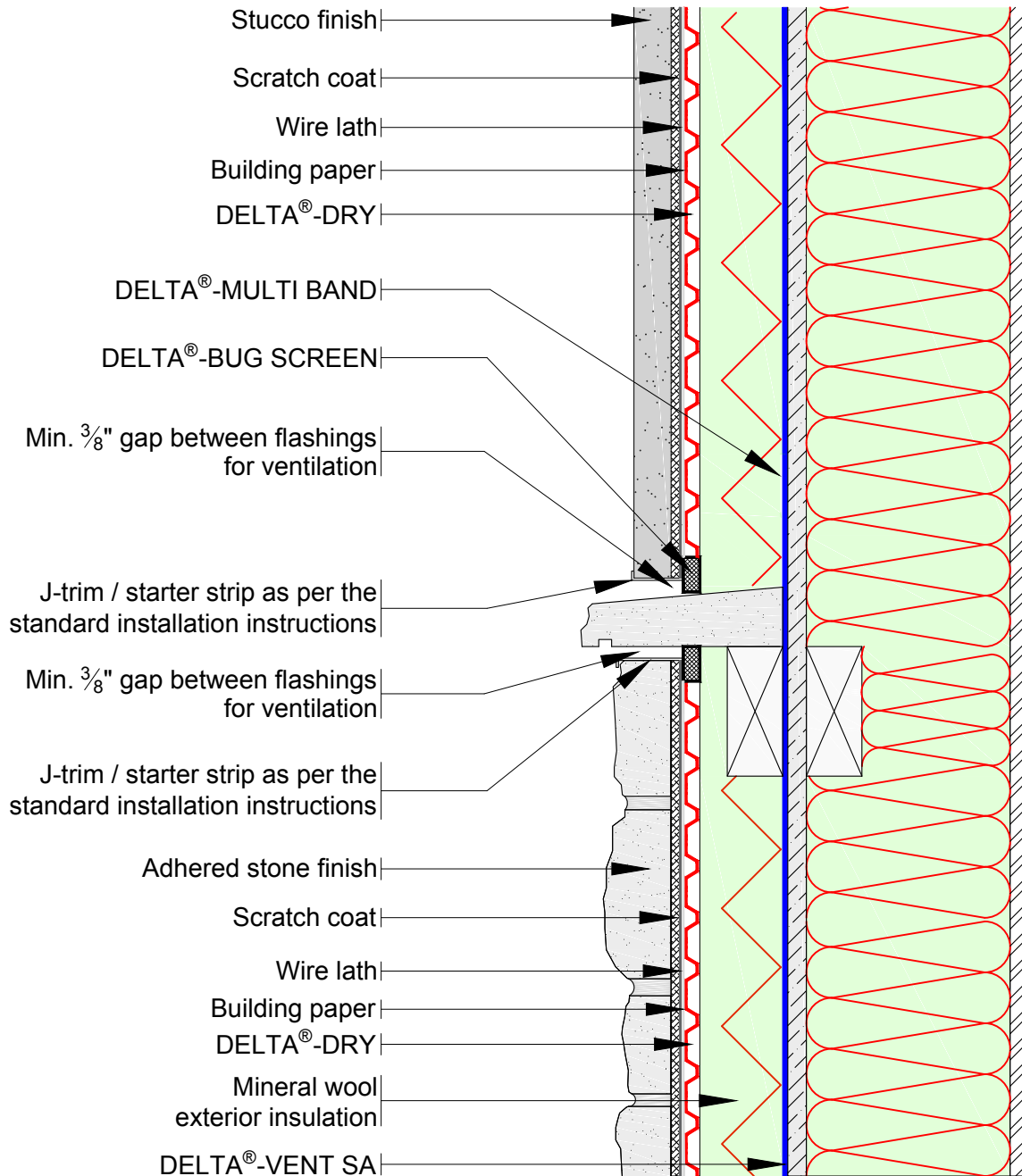
TITLE:
TYPICAL RESIDENTIAL DELTA®-DRY EXTERIOR INSULATION TOP OF WALL DETAIL

DRAWN BY: Krzysztof Apriasz C. Tech. CPHC®
 January 2021

DÖRKEN

DELTA®

4655 DELTA WAY BEAMSVILLE, ON.
 L3J 0T6 CANADA



For proper performance of DELTA®-DRY ensure top and bottom remain open to allow ventilation and drainage

SUBSTANTIAL EFFORT HAS BEEN MADE TO ENSURE THAT THE INFORMATION IN THIS DETAIL DRAWING IS ACCURATE. DÖRKEN SYSTEMS INC. CANNOT ACCEPT RESPONSIBILITY FOR ANY ERRORS OR OVERSIGHTS IN THE USE OF THIS MATERIAL OR IN THE PREPARATION OF ARCHITECTURAL OR ENGINEERING PLANS. THE DESIGN PROFESSIONAL MUST RECOGNIZE THAT NO DESIGN DETAIL CAN SUBSTITUTE FOR EXPERIENCED ENGINEERING AND PROFESSIONAL JUDGEMENT.

TITLE:

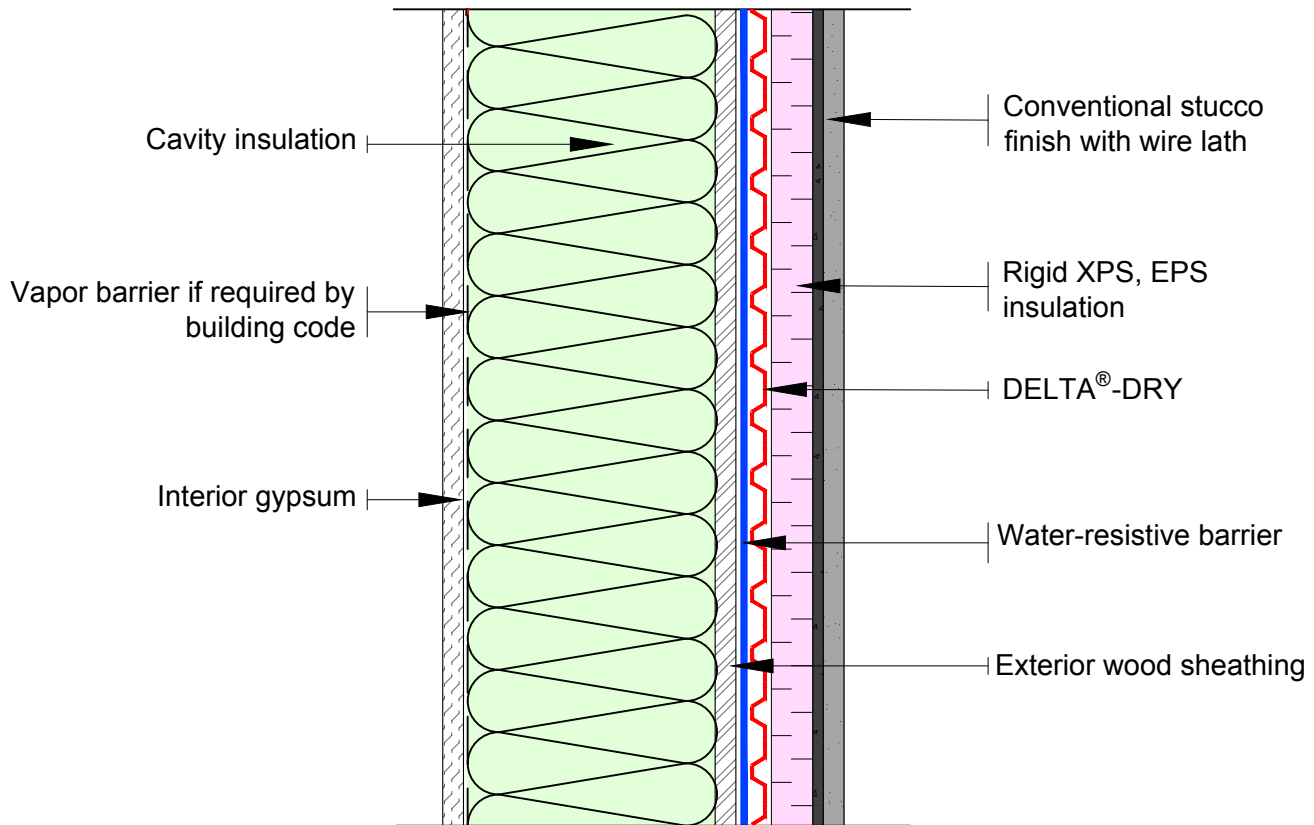
TYPICAL RESIDENTIAL DELTA®-DRY EXTERIOR INSULATION TRANSITION DETAIL

DRAWN BY: Krzysztof Apiasz C. Tech. CPHC®
January 2021

DÖRKEN

DELTA®

4655 DELTA WAY BEAMSVILLE, ON.
L3J 0T6 CANADA



Option 1
 Will provide ventilation, drying and drainage if water gets behind the insulation.

For proper performance of DELTA[®]-DRY ensure top and bottom remain open to allow ventilation and drainage

SUBSTANTIAL EFFORT HAS BEEN MADE TO ENSURE THAT THE INFORMATION IN THIS DETAIL DRAWING IS ACCURATE. DÖRKEN SYSTEMS INC. CANNOT ACCEPT RESPONSIBILITY FOR ANY ERRORS OR OVERSIGHTS IN THE USE OF THIS MATERIAL OR IN THE PREPARATION OF ARCHITECTURAL OR ENGINEERING PLANS. THE DESIGN PROFESSIONAL MUST RECOGNIZE THAT NO DESIGN DETAIL CAN SUBSTITUTE FOR EXPERIENCED ENGINEERING AND PROFESSIONAL JUDGEMENT.

TITLE:

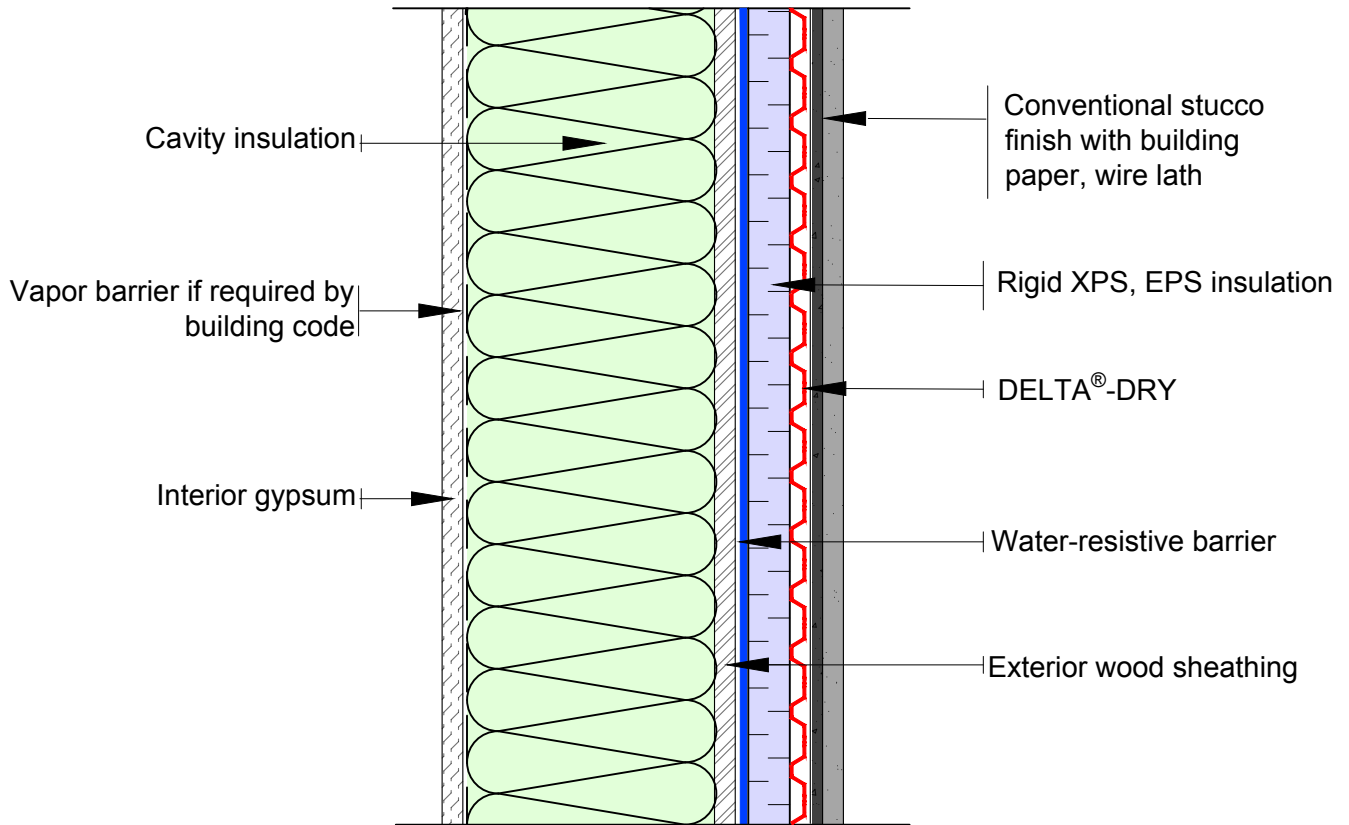
**TYPICAL RESIDENTIAL
 DELTA[®]-DRY WALL SECTION WITH XPS
 OR EPS RIGID INSULATION OPTION 1**

DRAWN BY: Krzysztof Apriasz C. Tech. CPHC[®]
 January 2021

DÖRKEN

DELTA[®]

4655 DELTA WAY BEAMSVILLE, ON.
 L3J 0T6 CANADA



Option 2
 Will provide drainage behind stucco only. Does not provide drying for exterior sheathing.

For proper performance of DELTA®-DRY ensure top and bottom remain open to allow ventilation and drainage

SUBSTANTIAL EFFORT HAS BEEN MADE TO ENSURE THAT THE INFORMATION IN THIS DETAIL DRAWING IS ACCURATE. DÖRKEN SYSTEMS INC. CANNOT ACCEPT RESPONSIBILITY FOR ANY ERRORS OR OVERSIGHTS IN THE USE OF THIS MATERIAL OR IN THE PREPARATION OF ARCHITECTURAL OR ENGINEERING PLANS. THE DESIGN PROFESSIONAL MUST RECOGNIZE THAT NO DESIGN DETAIL CAN SUBSTITUTE FOR EXPERIENCED ENGINEERING AND PROFESSIONAL JUDGEMENT.

TITLE:

**TYPICAL RESIDENTIAL DELTA®-DRY
 WALL SECTION WITH XPS OR EPS
 RIGID INSULATION OPTION 2**

DRAWN BY: Krzysztof Apriasz C. Tech. CPHC®
 January 2021

DÖRKEN

DELTA®

4655 DELTA WAY BEAMSVILLE, ON.
 L3J 0T6 CANADA